

# Pneumatic Sabre Saw

## Type 5 1218 0010

Techn. Doc. No. 552



Illustration can differ from the original

# Repair Manual and Spare Parts List

## Repair

### Disassembly

Disassembly and re-assembly should be done according to the sectional drawing only. Observe the safety instructions of the operation and maintenance manual.

### Gearbox head

Loosen socket head screws item 2 and remove gear part 2 item 9. Pull out of gear part 1 item 28 inner parts such as: roller guide item 120 with bearings, roller holder item 124 with bearings, bevel gear wheel item 24, axial thrust bearing item 25 and axial disc item 26. Remove supporting shoe item 15 from gear part 2 item 9. Undo screws item 6 and take out gate item 7 and sealing item 8. Screw out spring pressure piece item 14, pull out lift rod item 5, remove pin item 10, needle bearing item 11 and sliding roller item 17.

### Motor

Undo screws item 31 and draw off complete handle. Screw out motor cover item 17 and take out o-ring item 16. Knock out inner motor parts. Press out all inner parts of the motor. By tapping with a rubber mallet on end plate item 3, cylinder bushing item 7 can be removed. Draw off end plate item 3 with bearing item 4 and spacer item 6 from rotor item 10, remove cylinder bushing item 7, as well as vanes item 11. Separate pinion item 20 from rotor and remove end plate item 12 with bearing from rotor. Remove spacer item 15 from the bearing seat. Pull sound absorber item 2 out of motor housing item 1.

### Handle

Screw out nipple item 29 with reducing nipple. Take out pressure spring item 28, steel ball item 27, cylinder pin item 25 and snap ring item 26. Knock out double notched taper pin item 24 and remove valve trigger item 23. Replace bushing item 32, guide sleeve item 33, pressure spring item 34 and locking slide item 35 only when defective. Bushing item 32 and guide sleeve item 33 are glued in and can only be loosened after heating.

### Re-assembly

Re-assembly is performed basically the same as disassembly, but in reverse order. Mind especially the following items!

### Handle

Control function after assembly. Look out for leaks and correct pin guide on the valve trigger. Check the locking slide.

### Motor

If bearings items 4 and 13 in the end plates items 3 and 12 are replaced, the spacing of the motor has to be redone. For that, new spacers items 6 and 15 are used. Press bearings in the end plates backlash-free in direction to snap ring in order to find out dimension of spacer. The end play between rotor and end plates should be approx. 0.04 mm per side.

Make functional gauging of motor with handle by checking free speed (approx. 15,000 rpm at an operating pressure of 6 bar).

### Gearbox head

Build-in lift rod item 5 in correct position. Check the complete assembled bevel gear wheel item 24 with bearings and bolts for easy running. Attach roller holder item 124 completely.

Test roller guide for easy movement. Screw together gear part 1 and gear part 2. Screw components „Motor with Handle “ and „Gearbox“.

Fill the gearbox with grease, e.g. Calypsol-D8024 (approx. 80 g).

After completion of re-assembly make following functional gauging: Cutting capacity, Power, Start reaction

### Replacement of Vanes

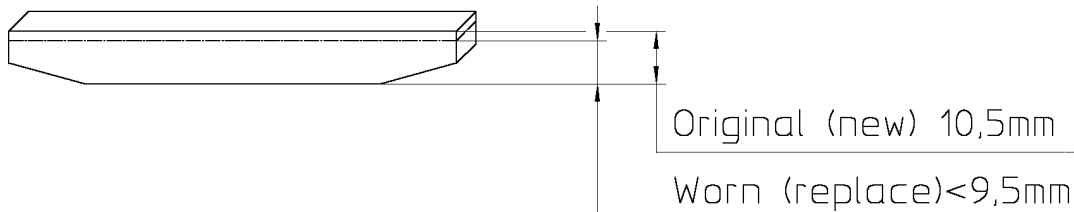
For replacing the main wear parts (the vanes) proceed as follows:  
Disconnect air hose from handle. After loosening screws item 27 of gearbox, take off motor with handle. Remove pinion item 20 from rotor journal. Screw out motor cover item 17. Draw out rotor item 10 with end plate item 12 and vanes item 11. Tapping with a rubber mallet onto edge of the motor housing item 1 is helpful. Doing that, also cylinder bushing item 7 with rear end plate item 3 can be drawn out.

**CAUTION!** Do not cant/ Never use force!

Change vanes item 11, clean rotor slots, check surfaces and smooth them, if necessary. Push cylinder bushing item 7 into housing. Take care for correct position. Put in spacers item 6 again, looking for that the inner chamfer as well as spacer item 15 point to the rotor. Insert rotor item 10 with the new vanes item 11 and spacer item 15. Install end plate item 12 with bearing. Put in O-ring item 16 and fasten motor cover with screws. Now rotor has to be turned easily. If not, light tapping with a rubber mallet straight or lateral on motor housing is helpful to put the rotor in free-wheel position. Thereupon mount the pinion item 20 and screw on gearbox. Connect air hose and perform functional gauging.

Replace wear parts – in particular the vanes – when necessary.  
Vanes are considered worn, if their width is less than 9.5 mm.

Vane 5 1216 1050



### Spare Parts

Only original spare parts may be used. There is no warranty for damages and liability is disclaimed, if non-original spare parts and accessories are used.



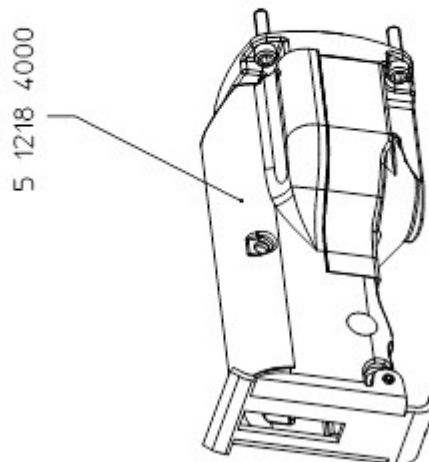
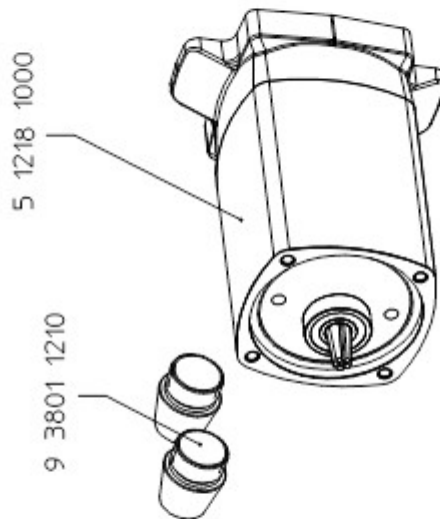
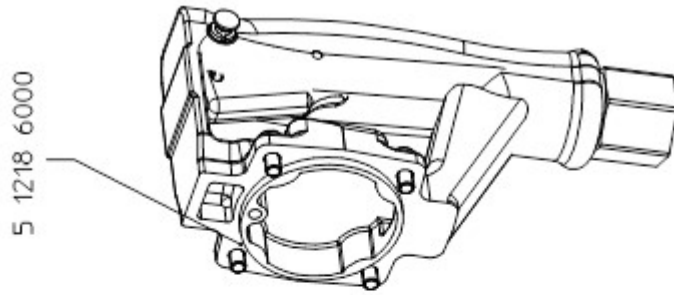
### Spare Parts List

Description:

**Pneumatic Sabre Saw**

Part and drawing number:

**5 1218 0010**



<b>Spare Parts List</b>					
Description:				Part and drawing number:	
<b>Motor</b>				<b>5 1218 1000</b>	
Item	Qty.	Description	Part and drawing number		Remarks
1	1	Motor housing	5 1218 1010		
2	1	Sound absorber pipe	5 1218 1710		
3	1	End plate	1 1430 1110	*	
4	1	Grooved ball bearing	9 1003 0010	*	
5	1	Snap ring	9 1703 0050		
6	1	Spacer ring	1 1430 1080	*	
7	1	Cylinder bushing	5 6030 1020		
8	1	Brace	9 1630 1060		
9	1	Brace	9 1630 1060		
10	1	Rotor	5 1217 1030		
11	5	Vane	5 1216 1050	*	
12	1	End plate	5 6030 1100	*	
13	1	Grooved ball bearing	9 1003 0370	*	
14	1	Snap ring	9 1703 0070		
15	1	Spacer ring	5 1202 1080		
16	1	O-ring	9 1901 4950	*	
17	1	Motor cover	5 1216 1120		
19	1	Sealing	5 1218 4190	*	
20	1	Pinion	5 1216 4170		
21	1	Grooved ball bearing	9 1003 0470	*	
		* Wear parts to be stored in case of continuous use			

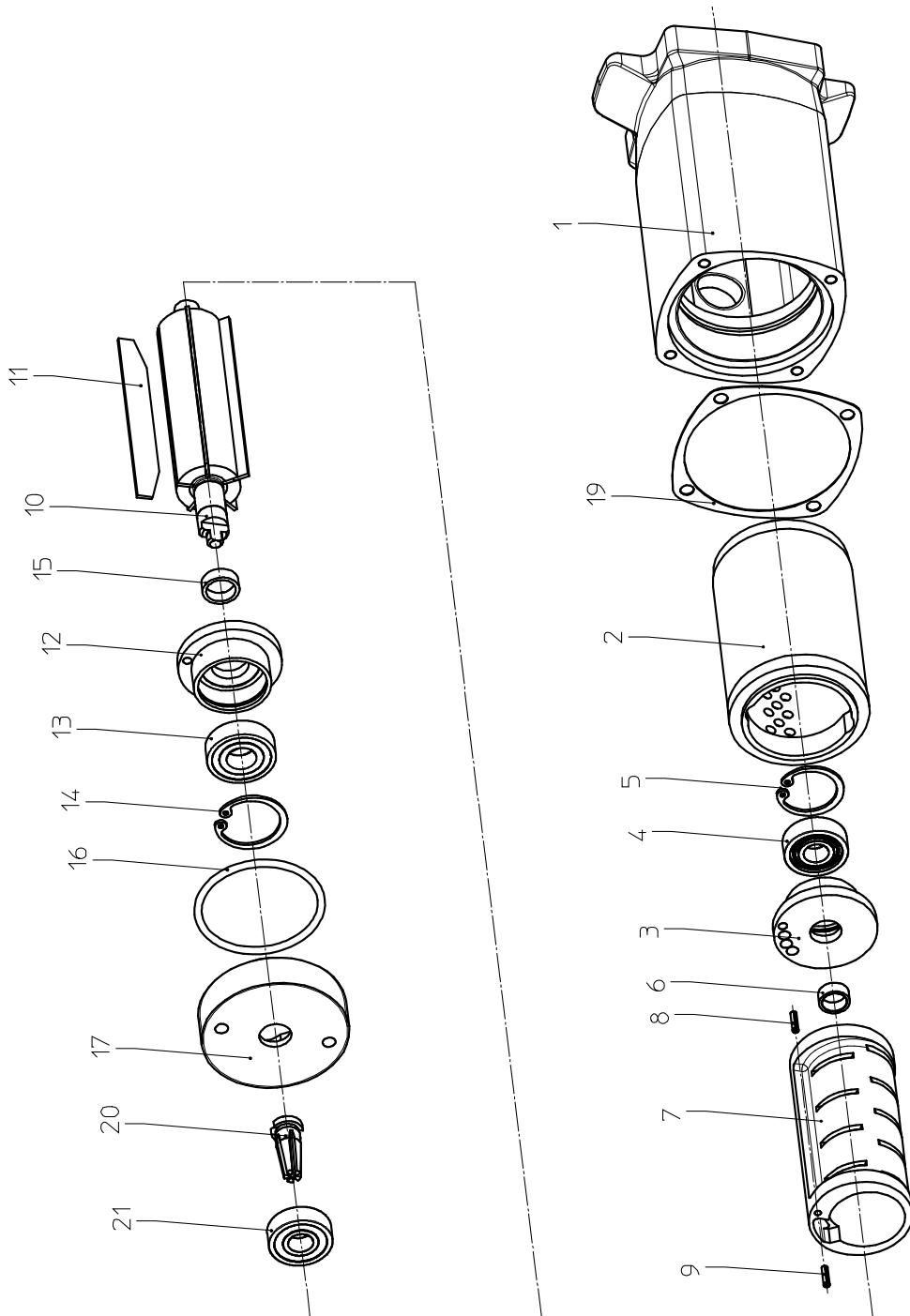
### Spare Parts List

Description:

**Motor**

Part and drawing number:

**5 1218 1000**



<b>Spare Parts List</b>					
Description:				Part and drawing number	
<b>Handle</b>				<b>5 1218 6000</b>	
Item	Qty.	Description	Part and drawing number		Remarks
22	1	Handle	5 1218 6910		
23	1	Valve trigger	5 1218 3040		
24	1	Double notched taper pin	9 1641 0020		
25	1	Cylinder pin	9 1637 1730		
26	1	Snap ring	9 1903 0990		
27	1	Steel ball	9 1017 0070		
28	1	Pressure spring	9 1803 1210		
29	1	Nipple	9 2201 0220		
30	1	O-ring	9 1901 3140	*	
31	4	Socket head screw	9 1110 4010		
32	1	Bushing	5 1216 3160		
33	1	Guide sleeve	5 1216 3170		
34	1	Pressure spring	9 1803 3360		
35	1	Locking slide	5 1216 3150		
36	1	Lens head screw with cross slot	9 1166 0170		
37	1	Screw button	5 1216 3180		
38	1	Screen sheet	9 2201 0038		
		*Wear parts to be stored in case of continuous			
		use			



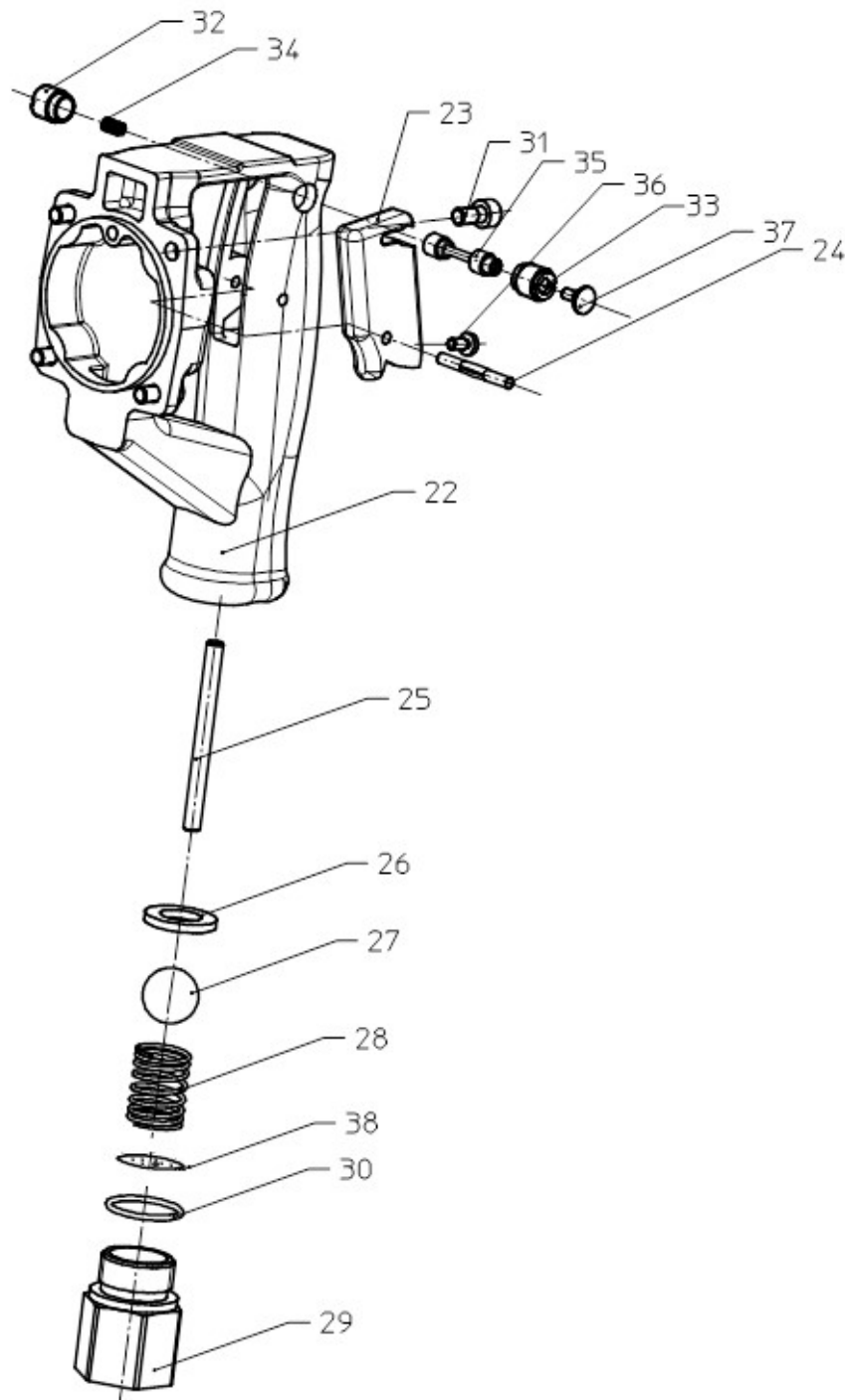
### Spare Parts List

Description:

Part and drawing number:

**Handle**

**5 1218 6000**



<b>Spare Parts List</b>						
Description:				Part and drawing number:		
<b>Gearbox head</b>				<b>5 1218 4000</b>		
Item	Qty.	Description	Part and drawing number		Remarks	
2	5	Socket head screw (Clamp screw)	9 1110 3120			
3	1	Saw blade pressure piece, assy.	5 1216 7920		with item 4	
4	1	Spiral pin	9 1642 0220			
5	1	Lift rod	5 1216 4260			
6	3	Socket head screw	9 1110 1040			
7	1	Gate	5 1216 4310			
8	1	Sealing	5 1216 4320	*		
9	1	Gear part 2	5 1218 4010			
10	2	Cylinder pin	9 1631 0150			
11	1	Needle bearing	9 1013 0450			
13	1	Socket head screw	9 1110 3080			
14	1	Spring pressure piece	9 1810 0080			
15	1	Supporting shoe	5 1216 7070			
16	1	Spiral pin	9 1642 0270			
17	1	Sliding roller	5 1216 4180			
18	1	Pressure spring	9 1803 4360			
19	1	Steel ball	9 1017 0050			
22	1	Bevel gear wheel, assy.	5 1216 4930		with items 23, 24	
23	1	Needle sleeve	9 1014 0230			
25	1	Axial thrust bearing	9 1024 0420			
26	1	Axial disc	9 1024 0410			
27	4	Socket head screw	9 1110 3100			
28	1	Gear part 1	5 1218 4920		with item 30	
29	1	O-ring	9 1921 1430	*		
84	1	Sealing	5 1218 4180	*		
120	1	Roller guide	5 1216 4370			
122	2	Needle bearing with axis and sleeve	5 1216 4970		with items 121,123	
124	1	Roller holder, assy.	5 1216 4410		Items 121-123	
125	1	External ring	5 1216 4480			
126	1	Needle sleeve	9 1014 0120			
		* Wear parts to be stored in case of continuous use				

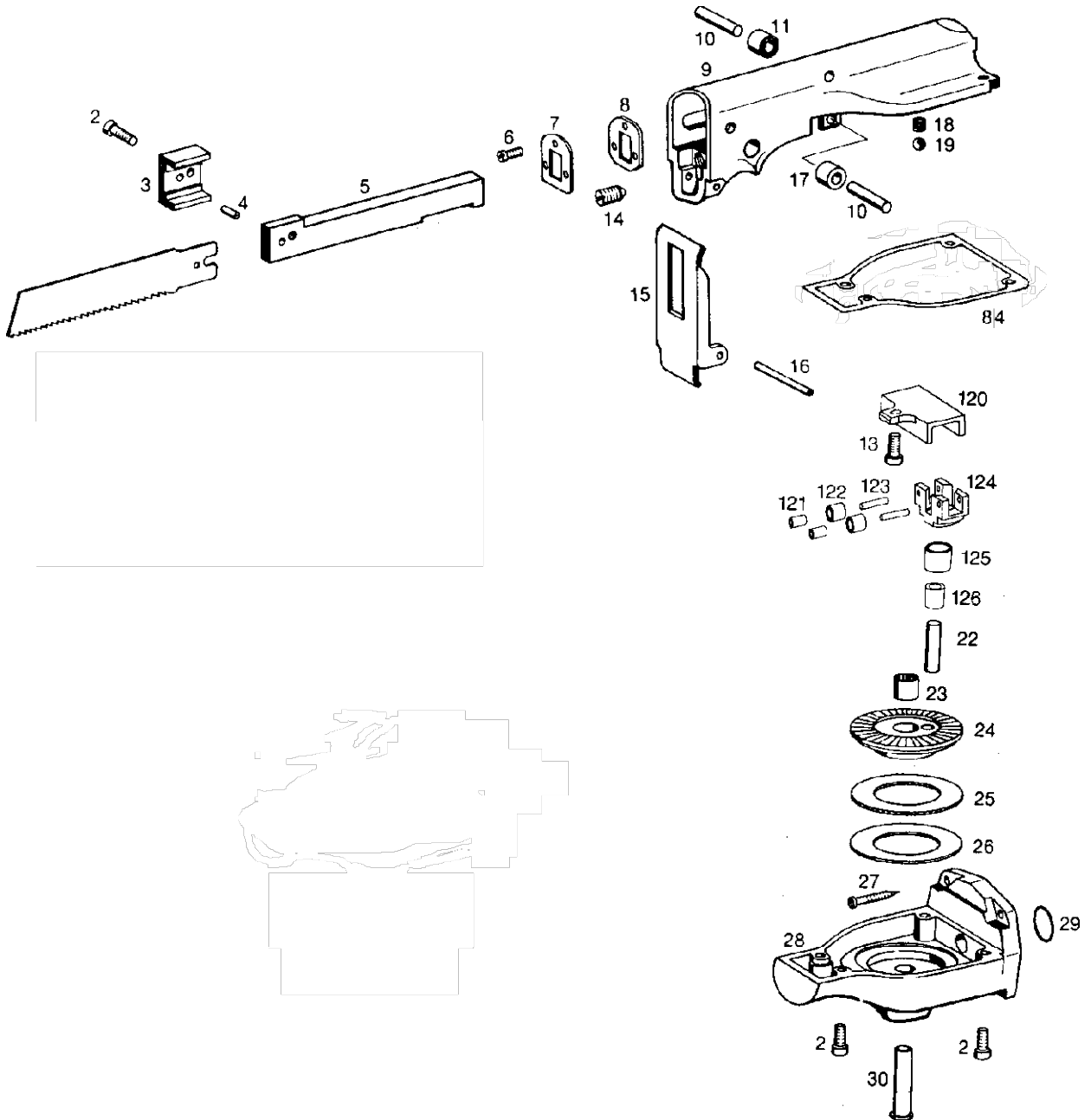
### Spare Parts List

Description:

**Gearbox head**

Part and drawing number:

**5 1218 4000**



---

  
The logo for Spitznas Maschinenfabrik GmbH, featuring the word "SPITZNAS" in a stylized, green, blocky font with a white outline.

Maschinenfabrik GmbH  
Fellerstraße 4, 42555 Velbert  
Germany

Tel.: +49 2052 605 0  
Fax: +49 2052 605 29  
E-Mail: [spitznas@spitznas.de](mailto:spitznas@spitznas.de)  
Internet: [www.spitznas.de](http://www.spitznas.de)