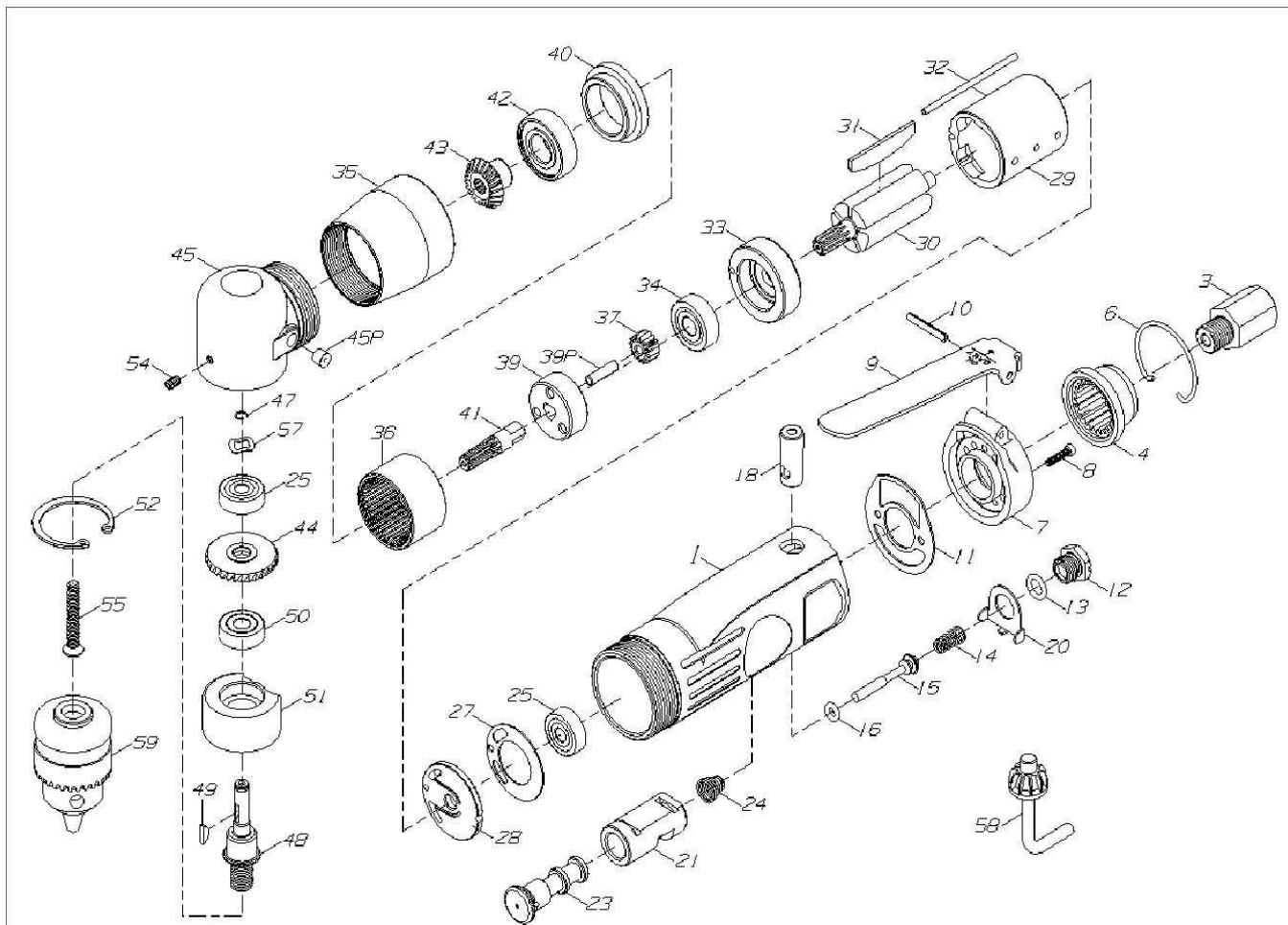


UDA263 3/8" ANGLE REVERSIBLE DRILL



Version:2010.08.10

index				index			
No.	Part No.	Description	NO. Req'd	No.	Part No.	Description	NO. Req'd
1	126301	Motor Housing	1	33	126333	Front End Plate	1
3	126303	Inlet Bushing	1	34	0608-ZZ0A	Ball Bearing	1
4	126304	Deflector	1	35	126335	Lock Ring	1
6	126306	Stop Ring	1	36	126336	Internal Gear	1
7	126307	Housing Cap	1	37	106322	Planet Gear	3
8	126308	Screw	2	39	126339	Cage (inc.#39P Pin)	1
9	126309	Lever/Safety Lever	1	39P	103324-A	Pin	3
10	P-0030-240	Pin	1	40	126340	Spacer	1
11	126311	Housing Gasket	1	41	126341	Gear Spindle	1
12	126312	Valve Screw	1	42	6001-000A	Ball Bearing	1
13	O-0700-200	O-Ring	1	43	126343	Pinion	1
14	126314	Valve Spring	1	44	126344	Gear	1
15	126315	Throttle Valve	1	45	126345	Angle Housing(inc.#45P)	1
16	O-0400-200	O-Ring	1	45P	103633-B	Ball Cap	1
18	126318	Valve Bushing	1	47	R-S056	Retainer Ring	1
20	126320	Retainer	1	48	126348	Spindle	1
21	126321	Bushing	1	49	126349	Key	1
23	126323	Reverse Valve	1	50	0607-ZZ0A	Ball Bearing	1
24	126324	Reverse Spring	1	51	126351	Bearing Case	1
25	0626-ZZ0A	Ball Bearing	2	52	R-R344	Retainer Ring	1
27	126327	Motor Gasket	1	54	127810-A	Set Screw	1
28	126328	Rear End Plate	1	55	137701	Screw	1
29	126329	Cylinder (P.M)/(Steel)	1	57	126357	Wave Washer	1
30	126330	Rotor	1	58	103229-A	Chuck Key	1
31	106316	Rotor Blade	5	59	103229	3/8" Chuck/Keyless Chuck	1
32	126332	Motor Pin	1				

