

Hydraulischer/*Hydraulic*

# Drehmomentschrauber FSX

## *Torque Wrenches FSX*



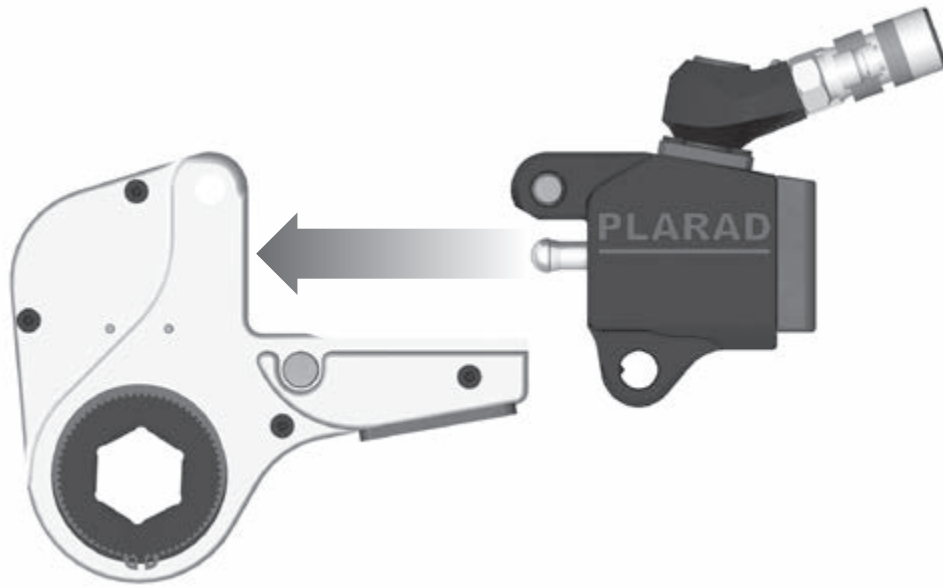
Technische Daten, metrisch/  
*Technical data, metric*

**PLARAD**<sup>®</sup>  
Torque & Tension Systems





**FSX** = **Ratschenkopf (HSX)** + **Antriebseinheit (SX)**  
*Ratchet head (HSX)* + *Drive unit (SX)*



**Ratschenkopf • Ratchet head**

Ratschenkopf  
ratchet head

Max. SW (mm)  
max. A/F (mm)

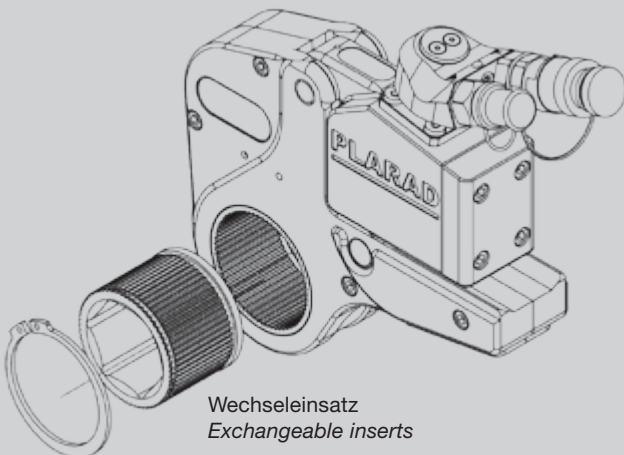
**HSX 550 F**

Für Antrieb Leistungsklasse 5  
for drive unit performance-class 5

Fix:  
Fester Einsatz  
fixed insert

Wechseleinsatz  
Exchangeable inserts

**HSX 550 W**



Wechseleinsatz  
Exchangeable inserts

**Antriebseinheit • Drive unit**

Antriebseinheit  
drive unit

hinten:  
Anschluss hinten  
connection at the back

**SX 1 MF-H**

Leistungsklasse  
performance-class

Fix:  
starrer Anschluss  
fixed hose connection



Mono:  
Einschlauch-  
Variante  
single hose

oben:  
Anschluss oben  
connection on top

**SX 1 MS-O**

Swivel:  
360° drehbarer Anschluss  
360° turnable hose connection



Economy

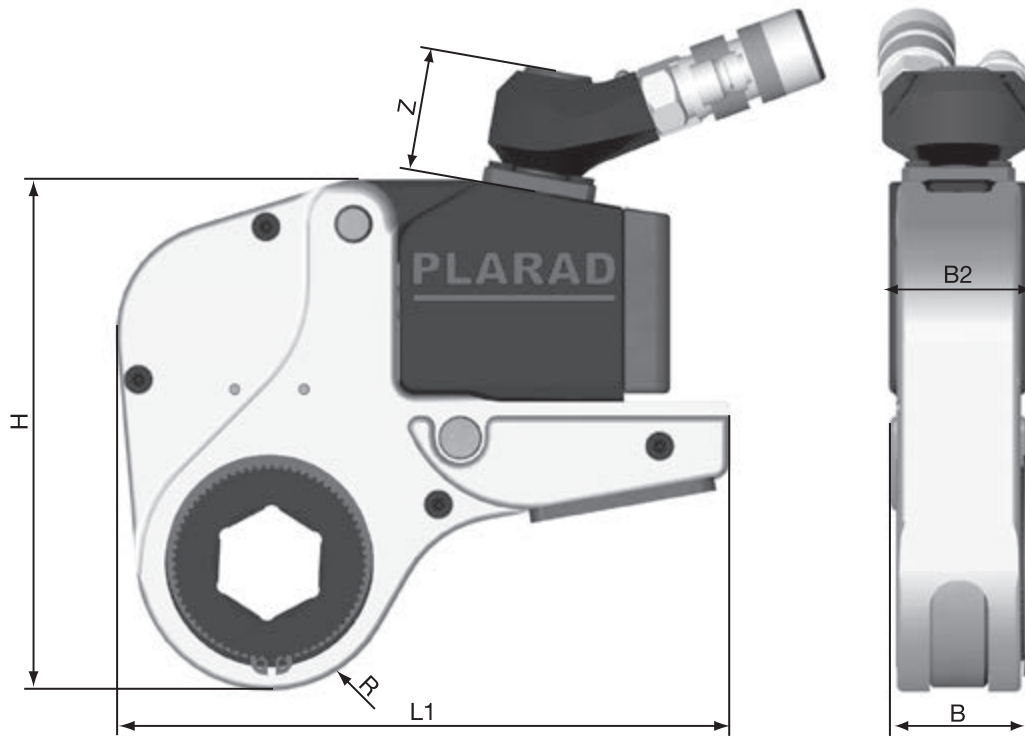
Twin:  
Zweischlauch-Variante  
twin hose version

**SX-EC 2 TS**



konventionelle Baureihe  
conventional series

**SX 20 TST**



## SX - EC 1

Antriebseinheit <i>Drive unit</i>	Code Nr. <i>Code no.</i>	Leistungsbereich <i>Performance range</i>	B2	Gewicht <i>Weight</i>
SX - EC 1 TS	G52-010-0-01214	100 - 1.000 Nm	32 mm	0,7 kg
SX - EC 1 MF	G52-010-0-00114	100 - 1.000 Nm	42 mm	1,0 kg

Ratschenkopf <i>Ratchet head</i>	Code Nr. <i>Code no.</i>	SW (mm) <i>A/F (mm)</i>	L1 (mm)	B (mm)	H (mm)	Z (mm)	R (mm)	MT <sub>max</sub> (Nm)	Gewicht <i>Weight</i> (kg)
HSX 127 F	G51-010-0-00120	27	149	32,5	111	40	24,0	800	0,7
HSX 136 F	G51-010-0-00320	36	149	32,5	116	40	29,5	1.000	0,8
HSX 141 F	G51-010-0-00220	41	149	32,5	119	40	32,0	1.000	0,9

## SX - EC 2

Antriebseinheit <i>Drive unit</i>	Code Nr. <i>Code no.</i>	Leistungsbereich <i>Performance range</i>	B2	Gewicht <i>Weight</i>
SX - EC 2 TS	G52-025-0-00840	250 - 2.500 Nm	41,0 mm	1,3 kg
SX - EC 2 MS-O	G52-025-0-00740	250 - 2.500 Nm	39,5 mm	1,0 kg
SX - EC 2 MS-H	G52-025-0-00340	250 - 2.500 Nm	39,5 mm	1,0 kg
SX - EC 2 MF	G52-025-0-00440	250 - 2.500 Nm	39,5 mm	0,8 kg

Ratschenkopf <i>Ratchet head</i>	Code Nr. <i>Code no.</i>	SW (mm) <i>A/F (mm)</i>	L1 (mm)	B (mm)	H (mm)	Z (mm)	R (mm)	MT <sub>max</sub> (Nm)	Gewicht <i>Weight</i> (kg)
HSX 224 F	G51-025-0-00125	max. 24	173	34,5	124,5	40	21,5	750	1,25
HSX 230 F	G51-025-0-00225	max. 30	173	34,5	128,5	40	25,5	1.050	1,25
HSX 232 F	G51-025-0-00325	max. 32	173	34,5	130,5	40	27,5	1.250	1,35
HSX 236 F	G51-025-0-00425	max. 36	173	34,5	133,5	40	30,0	1.500	1,35
HSX 241 F	G51-025-0-00525	max. 41	173	34,5	137,0	40	34,0	2.000	1,45
HSX 246 F	G51-025-0-00725	max. 46	173	34,5	141,0	40	38,0	2.350	1,45
HSX 250 F	G51-025-0-00825	max. 50	173	34,5	143,5	40	40,0	2.500	1,45
HSX 255 F	G51-025-0-00121	max. 55	173	34,5	146,5	40	43,5	2.500	1,45
HSX 260 F	G51-025-0-01025	max. 60	175	34,5	153,5	40	45,5	2.500	1,50
HSX 265 F	G51-025-0-01810	65	179	34,5	158,5	40	48,0	2.500	1,55
HSX 270 F	G51-025-0-05710	70	180	34,5	163,0	40	53,0	2.500	1,75

<b>Ratschenkopf</b> <i>Ratched head</i>	Sechskanteinsatz <i>Hexagon key insert</i>	Code Nr. <i>Code no.</i>	SW (mm) <i>A/F (mm)</i>	Bemerkung <i>Notice</i>
<b>HSX 224 F</b>	HX 224 H 20 M	F93-060-9-02026	20	
	HX 224 H 24 M	F93-060-9-02426	24	
<b>HSX 230 F</b>	HX 230 H 24 M	F93-072-9-02407	24	
	HX 230 H 30 M	F93-072-9-03007	30	
<b>HSX 232 F</b>	HX 232 H 24 M	F93-076-9-02452	24	
	HX 232 H 27 M	F93-076-9-02752	27	
	HX 232 H 32 M	F93-076-9-03252	32	
<b>HSX 236 F</b>	HX 236 H 24 M	F93-050-9-02407	24	
	HX 236 H 27 M	F93-050-9-02707	27	
	HX 236 H 30 M	F93-050-9-03007	30	
	HX 236 H 32 M	F93-050-9-03207	32	
	HX 236 H 36 M	F93-050-9-03607	36	
<b>HSX 241 F</b>	HX 241 H 27 M	F93-056-9-02755	27	
	HX 241 H 30 M	F93-056-9-03055	30	
	HX 241 H 32 M	F93-056-9-03255	32	
	HX 241 H 36 M	F93-056-9-03655	36	
	HX 241 H 41 M	F93-056-9-04155	41	
<b>HSX 246 F</b>	HX 246 H 30 M	F93-062-9-03002	30	
	HX 246 H 32 M	F93-062-9-03202	32	
	HX 246 H 36 M	F93-062-9-03602	36	
	HX 246 H 41 M	F93-062-9-04102	41	
	HX 246 H 46 M	F93-062-9-04602	46	
<b>HSX 250 F</b>	HX 250 H 30 M	F93-068-9-03005	30	
	HX 250 H 32 M	F93-068-9-03205	32	
	HX 250 H 36 M	F93-068-9-03605	36	
	HX 250 H 41 M	F93-068-9-04105	41	
	HX 250 H 46 M	F93-068-9-04605	46	
	HX 250 H 50 M	F93-068-9-05005	50	
<b>HSX 255 F</b>	HX 255 H 36 M	F93-072-9-03606	36	
	HX 255 H 41 M	F93-072-9-04106	41	
	HX 255 H 46 M	F93-072-9-04606	46	
	HX 255 H 50 M	F93-072-9-05006	50	
	HX 255 H 55 M	F93-072-9-05506	55	
<b>HSX 260 F</b>	HX 260 H 36 M	F93-078-9-03604	36	
	HX 260 H 41 M	F93-078-9-04104	41	
	HX 260 H 46 M	F93-078-9-04604	46	
	HX 260 H 50 M	F93-078-9-05004	50	
	HX 260 H 55 M	F93-078-9-05504	55	
	HX 260 H 58 M	F93-078-9-05804	58	
	HX 260 H 60 M	F93-078-9-06004	60	

<b>Ratschenkopf</b> <i>Ratchet head</i>	Code Nr. <i>Code no.</i>	SW (") <i>A/F (")</i>	L1  (mm)	B  (mm)	H  (mm)	Z  (mm)	R  (mm)	MT <sub>max</sub>  (Nm)	Gewicht <i>Weight</i> (kg)
HSX 224 F	G51-025-0-00126	15/16"	173	34,5	124,5	40	21,5	750	1,25
HSX 230 F	G51-025-0-00226	1 1/8"	173	34,5	128,5	40	25,5	1.050	1,25
HSX 232 F	G51-025-0-00326	1 1/4"	173	34,5	130,5	40	27,5	1.250	1,35
HSX 236 F	G51-025-0-00426	1 3/8"	173	34,5	133,5	40	30,0	1.500	1,35
HSX 241 F	G51-025-0-00526	1 9/16"	173	34,5	137,0	40	34,0	2.000	1,45
HSX 246 F	G51-025-0-00726	1 13/16"	173	34,5	141,0	40	38,0	2.350	1,45
HSX 250 F	G51-025-0-00826	1 15/16"	173	34,5	143,5	40	40,0	2.500	1,45
HSX 255 F	G51-025-0-00926	2 1/8"	173	34,5	146,5	40	43,5	2.500	1,45
HSX 260 F	G51-025-0-01026	2 3/8"	175	34,5	153,5	40	45,5	2.500	1,50
HSX 265 F	G51-025-0-01526	2 1/2"	179	34,5	158,5	40	48,0	2.500	1,55

Ratschenkopf <i>Ratched head</i>	Sechskanteinsatz <i>Hexagon key insert</i>	Code Nr. <i>Code no.</i>	SW (") <i>A/F (")</i>	Bemerkung <i>Notice</i>
<b>HSX 241 F</b>	HX 241 H 156	F93-056-9-04056	1 <sup>9</sup> / <sub>16</sub> "	
<b>HSX 246 F</b>	HX 246 H 181	F93-062-9-04702	1 <sup>13</sup> / <sub>16</sub> "	
<b>HSX 250 F</b>	HX 250 H 200	F93-068-9-05106	1 <sup>15</sup> / <sub>16</sub> "	
<b>HSX 255 F</b>	HX 255 H 163	F93-072-9-04109	1 <sup>5</sup> / <sub>8</sub> "	
	HX 255 H 169	F93-072-9-04309	1 <sup>11</sup> / <sub>16</sub> "	
	HX 255 H 175	F93-072-9-04509	1 <sup>3</sup> / <sub>4</sub> "	
	HX 255 H 181	F93-072-9-04609	1 <sup>13</sup> / <sub>16</sub> "	
	HX 255 H 188	F93-072-9-04809	1 <sup>7</sup> / <sub>8</sub> "	
	HX 255 H 194	F93-072-9-04909	1 <sup>15</sup> / <sub>16</sub> "	
	HX 255 H 200	F93-072-9-05109	2"	
	HX 255 H 206	F93-072-9-05209	2 <sup>1</sup> / <sub>16</sub> "	
	HX 255 H 213	F93-072-9-05409	2 <sup>1</sup> / <sub>8</sub> "	
	HX 255 H 219	F93-072-9-05609	2 <sup>3</sup> / <sub>16</sub> "	
<b>HSX 255 F</b>	HX 260 H 238	F93-078-9-06104	2 <sup>3</sup> / <sub>8</sub> "	

Ratschenkopf <i>Ratchet head</i>	Code Nr. <i>Code no.</i>	SW (mm) <i>A/F (mm)</i>	L1 (mm)	B (mm)	H (mm)	Z (mm)	R (mm)	MT <sub>max</sub> (Nm)	Gewicht <i>Weight</i> (kg)
HSX 224 W	G51-025-0-00824	max. 24	173	37,9	128,5	40	25,5	1.050	1,55
HSX 227 W	G51-025-0-00124	max. 27	173	37,9	134,0	40	27,5	1.250	1,55
HSX 232 W	G51-025-0-00224	max. 32	173	38,2	133,0	40	30,0	1.500	1,55
HSX 236 W	G51-025-0-00324	max. 36	171	38,5	143,5	40	37,0	2.500	1,65
HSX 241 W	G51-025-0-00424	max. 41	173	38,5	141,0	40	38,0	2.350	1,75
HSX 246 W	G51-025-0-00524	max. 46	173	38,5	148,0	40	41,5	2.500	1,75
HSX 250 W	G51-025-0-00624	max. 50	173	39,0	150,0	40	43,5	2.500	1,85
HSX 255 W	G51-025-0-00724	max. 55	175	39,0	153,5	40	45,5	2.500	1,90

Ratschenkopf <i>Ratched head</i>	Wechseleinsatz <i>Exchangeable insert</i>	Code Nr. <i>Code no.</i>	SW (mm) <i>A/F (mm)</i>	Bemerkung <i>Notice</i>
<b>HSX 224 W</b>	HXW 224 H 20 M	F93-034-9-02015	20	
	HXW 224 H 22 M	F93-034-9-02215	22	
	HXW 224 H 24 M	F93-034-9-02415	24	
<b>HSX 232 W</b>	HXW 232 H 20 M	F93-041-9-02031	20	
	HXW 232 H 24 M	F93-041-9-02431	24	
	HXW 232 H 27 M	F93-041-9-02731	27	
	HXW 232 H 30 M	F93-041-9-03031	30	
	HXW 232 H 32 M	F93-041-9-03231	32	
<b>HSX 236 W</b>	HXW 236 H 24 M	F93-048-9-02465	24	
	HXW 236 H 27 M	F93-048-9-02765	27	
	HXW 236 H 30 M	F93-048-9-03065	30	
	HXW 236 H 32 M	F93-048-9-03265	32	
	HXW 236 H 36 M	F93-048-9-03665	36	
<b>HSX 241 W</b>	HXW 241 H 24 M	F93-052-9-02405	24	
	HXW 241 H 27 M	F93-052-9-02705	27	
	HXW 241 H 30 M	F93-052-9-03005	30	
	HXW 241 H 32 M	F93-052-9-03205	32	
	HXW 241 H 36 M	F93-052-9-03605	36	
	HXW 241 H 41 M	F93-052-9-04105	41	
<b>HSX 246 W</b>	HXW 246 H 30 M	F93-058-9-03006	30	
	HXW 246 H 32 M	F93-058-9-03206	32	
	HXW 246 H 36 M	F93-058-9-03606	36	
	HXW 246 H 41 M	F93-058-9-04106	41	
	HXW 246 H 46 M	F93-058-9-04606	46	

<b>Ratschenkopf</b> <i>Ratched head</i>	Wechseleinsatz <i>Exchangeable insert</i>	Code Nr. <i>Code no.</i>	SW (mm) <i>A/F (mm)</i>	Bemerkung <i>Notice</i>
<b>HSX 250 W</b>	HXW 250 H 24 M	F93-062-9-02401	24	
	HXW 250 H 27 M	F93-062-9-02701	27	
	HXW 250 H 30 M	F93-062-9-03001	30	
	HXW 250 H 32 M	F93-062-9-03201	32	
	HXW 250 H 36 M	F93-062-9-03601	36	
	HXW 250 H 41 M	F93-062-9-04101	41	
	HXW 250 H 46 M	F93-062-9-04601	46	
	HXW 250 H 50 M	F93-062-9-05001	50	
<b>HSX 255 W</b>	HXW 255 H 32 M	F93-068-9-03203	32	
	HXW 255 H 36 M	F93-068-9-03603	36	
	HXW 255 H 41 M	F93-068-9-04103	41	
	HXW 255 H 46 M	F93-068-9-04603	46	
	HXW 255 H 50 M	F93-068-9-05003	50	
	HXW 255 H 55 M	F93-068-9-05503	55	

<b>Ratschenkopf</b> <i>Ratchet head</i>	Code Nr. <i>Code no.</i>	SW (") <i>A/F (")</i>	L1 <i>(mm)</i>	B <i>(mm)</i>	H <i>(mm)</i>	Z <i>(mm)</i>	R <i>(mm)</i>	MT <sub>max</sub> <i>(Nm)</i>	Gewicht <i>Weight</i> <i>(kg)</i>
HSX 224 W	G51-025-0-00824	max. 15/16"	173	37,9	128,5	40	25,5	1.050	1,55
HSX 227 W	G51-025-0-00124	max. 11/16"	173	37,9	134,0	40	27,5	1.250	1,55
HSX 232 W	G51-025-0-00224	max. 11/4"	173	38,2	133,0	40	30,0	1.500	1,55
HSX 236 W	G51-025-0-00324	max. 13/8"	171	38,5	143,5	40	37,0	2.500	1,65
HSX 241 W	G51-025-0-00424	max. 19/16"	173	38,5	141,0	40	38,0	2.350	1,75
HSX 246 W	G51-025-0-00524	max. 113/16"	173	38,5	148,0	40	41,5	2.500	1,75
HSX 250 W	G51-025-0-00624	max. 115/16"	173	39,0	150,0	40	43,5	2.500	1,85
HSX 255 W	G51-025-0-00724	max. 21/8"	175	39,0	153,5	40	45,5	2.500	1,90

<b>Ratschenkopf</b> <i>Ratched head</i>	Wechseleinsatz <i>Exchangeable insert</i>	Code Nr. <i>Code no.</i>	SW (") <i>A/F (")</i>	Bemerkung <i>Notice</i>
<b>HSX 236 W</b>	HXW 236 H 106	F93-048-9-02766	11/16"	
	HXW 236 H 113	F93-048-9-02966	11/8"	
	HXW 236 H 119	F93-048-9-03066	13/16"	
	HXW 236 H 125	F93-048-9-03266	11/4"	
	HXW 236 H 131	F93-048-9-03366	15/16"	
	HXW 236 H 136	F93-048-9-03566	13/8"	
<b>HSX 241 W</b>	HXW 241 H 150	F93-052-9-03805	11/2"	
<b>HSX 246 W</b>	HXW 246 H 131	F93-058-9-03306	15/16"	
<b>HSX 250 W</b>	HXW 250 H 119	F93-062-9-03003	13/16"	
	HXW 250 H 125	F93-062-9-03203	11/4"	
	HXW 250 H 131	F93-062-9-03303	15/16"	
	HXW 250 H 138	F93-062-9-03503	13/8"	
	HXW 250 H 144	F93-062-9-03703	17/16"	
	HXW 250 H 150	F93-062-9-03803	11/2"	
	HXW 250 H 156	F93-062-9-04003	19/16"	
	HXW 250 H 163	F93-062-9-04103	15/8"	
	HXW 250 H 169	F93-062-9-04303	111/16"	
	HXW 250 H 175	F93-062-9-04503	13/4"	
	HXW 250 H 181	F93-062-9-04603	113/16"	
	HXW 250 H 188	F93-062-9-04803	17/8"	
HXW 250 H 194	F93-062-9-04903	115/16"		
<b>HSX 255 W</b>	HXW 255 H 188	F93-068-9-04808	17/8"	
	HXW 255 H 200	F93-068-9-05108	2"	
	HXW 255 H 213	F93-068-9-05408	21/8"	

## SX - EC 5

Antriebseinheit <i>Drive unit</i>	Code Nr. <i>Code no.</i>	Leistungsbereich <i>Performance range</i>	B2	Gewicht <i>Weight</i>
SX - EC 5 TS	G52-050-0-00540	500 - 5.500 Nm	50 mm	3,2 kg
SX - EC 5 MS-O	G52-050-0-00220	500 - 5.500 Nm	50 mm	2,0 kg
SX - EC 5 MS-H	G52-050-0-00520	500 - 5.500 Nm	50 mm	2,0 kg
SX - EC 5 MF	G52-050-0-00320	500 - 5.500 Nm	50 mm	1,9 kg

Ratschenkopf <i>Ratchet head</i>	Code Nr. <i>Code no.</i>	SW (mm) <i>A/F (mm)</i>	L1 <i>(mm)</i>	B <i>(mm)</i>	H <i>(mm)</i>	Z <i>(mm)</i>	R <i>(mm)</i>	MT <sub>max</sub> <i>(Nm)</i>	Gewicht <i>Weight (kg)</i>
HSX 532 F	G51-050-0-00125	32	215,0	45	165,5	36,5	27,5	1.750	2,45
HSX 536 F	G51-050-0-01325	36	215,0	45	168,5	36,5	30,5	2.000	2,50
HSX 541 F	G51-050-0-00225	41	221,0	45	172,5	36,5	34,5	2.700	2,55
HSX 546 F	G51-050-0-00325	46	220,0	45	175,5	36,5	37,5	3.100	2,55
HSX 550 F	G51-050-0-00425	50	221,0	45	178,0	36,5	40,0	4.100	2,65
HSX 555 F	G51-050-0-00121	55	221,0	45	184,0	36,5	46,0	5.500	2,65
HSX 560 F	G51-050-0-00525	60	221,0	45	186,0	36,5	48,0	5.500	2,75
HSX 565 F	G51-050-0-00625	65	227,5	45	188,0	36,5	50,0	5.500	2,75
HSX 570 F	G51-050-0-00221	70	227,5	45	193,5	36,5	55,5	5.500	2,75
HSX 575 F	G51-050-0-01225	75	228,0	45	200,5	36,5	56,5	5.500	2,85
HSX 580 F	G51-050-0-00825	80	228,0	45	202,0	36,5	58,5	5.500	2,85
HSX 585 F	G51-050-0-01425	85	233,0	45	207,0	36,5	63,0	5.500	3,00

Ratschenkopf <i>Ratched head</i>	Sechskanteinsatz <i>Hexagon key insert</i>	Code Nr. <i>Code no.</i>	SW (mm) <i>A/F (mm)</i>	Bemerkung <i>Notice</i>
<b>HSX 532 F</b>	HX 532 H 32 M	F93-076-9-03253	32	
<b>HSX 536 F</b>	HX 536 H 36 M	F93-050-9-03608	36	
<b>HSX 541 F</b>	HX 541 H 36 M	F93-092-9-03614	36	
	HX 541 H 41 M	F93-092-9-04114	41	
<b>HSX 546 F</b>	HX 546 H 30 M	F93-062-9-03004	30	
	HX 546 H 41 M	F93-062-9-04104	41	
	HX 546 H 46 M	F93-062-9-04604	46	
<b>HSX 550 F</b>	HX 550 H 32 M	F93-068-9-03202	32	
	HX 550 H 36 M	F93-068-9-03602	36	
	HX 550 H 41 M	F93-068-9-04102	41	
	HX 550 H 46 M	F93-068-9-04602	46	
	HX 550 H 50 M	F93-068-9-05002	50	
<b>HSX 555 F</b>	HX 555 H 30 M	F93-074-9-03013	30	
	HX 555 H 32 M	F93-074-9-03213	32	
	HX 555 H 36 M	F93-074-9-03613	36	
	HX 555 H 41 M	F93-074-9-04113	41	
	HX 555 H 46 M	F93-074-9-04613	46	
	HX 555 H 50 M	F93-074-9-05013	50	
	HX 555 H 51 M	F93-074-9-05113	51	
	HX 555 H 55 M	F93-074-9-05522	55	
HX 560 H 55 M	F93-080-9-05501	55		
	HX 560 H 58 M	F93-080-9-05801	58	
	HX 560 H 60 M	F93-080-9-06001	60	
HX 565 H 46 M	F93-085-9-04600	46		
	HX 565 H 55 M	F93-085-9-05500	55	
	HX 565 H 60 M	F93-085-9-06000	60	
	HX 565 H 63 M	F93-085-9-06300	63	
	HX 565 H 65 M	F93-085-9-06500	65	



<b>Ratschenkopf</b> <i>Ratcheted head</i>	Sechskanteinsatz <i>Hexagon key insert</i>	Code Nr. <i>Code no.</i>	SW (mm) <i>A/F (mm)</i>	Bemerkung <i>Notice</i>
<b>HSX 560 F</b>	HX 560 H 55 M	F93-080-9-05501	55	
	HX 560 H 58 M	F93-080-9-05801	58	
	HX 560 H 60 M	F93-080-9-06001	60	
<b>HSX 565 F</b>	HX 565 H 46 M	F93-085-9-04600	46	
	HX 565 H 55 M	F93-085-9-05500	55	
	HX 565 H 60 M	F93-085-9-06000	60	
	HX 565 H 63 M	F93-085-9-06300	63	
	HX 565 H 65 M	F93-085-9-06500	65	
<b>HSX 570 F</b>	HX 570 H 55 M	F93-092-9-05512	55	
	HX 570 H 60 M	F93-092-9-06012	60	
	HX 570 H 65 M	F93-092-9-06512	65	
	HX 570 H 70 M	F93-092-9-07012	70	
	HX 570 H 71 M	F93-092-9-07112	71	
<b>HSX 575 F</b>	HX 575 H 60 M	F93-097-9-06000	60	
	HX 575 H 65 M	F93-097-9-06500	65	
	HX 575 H 75 M	F93-097-9-07500	75	
<b>HSX 580 F</b>	HX 580 H 75 M	F93-102-9-07505	75	
	HX 580 H 77 M	F93-102-9-07705	77	
	HX 580 H 80 M	F93-102-9-08005	80	

<b>Ratschenkopf</b> <i>Ratchet head</i>	Code Nr. <i>Code no.</i>	SW (") <i>A/F (")</i>	L1 <i>(mm)</i>	B <i>(mm)</i>	H <i>(mm)</i>	Z <i>(mm)</i>	R <i>(mm)</i>	MT <sub>max</sub> <i>(Nm)</i>	Gewicht <i>Weight</i> <i>(kg)</i>
HSX 532 F	G51-050-0-00127	1 <sup>1</sup> / <sub>4</sub> "	215,0	45	165,5	36,5	27,5	1.750	2,45
HSX 536 F	G51-050-0-01327	1 <sup>3</sup> / <sub>8</sub> "	215,0	45	168,5	36,5	30,5	2.000	2,50
HSX 541 F	G51-050-0-00227	1 <sup>9</sup> / <sub>16</sub> "	221,0	45	172,5	36,5	34,5	2.700	2,55
HSX 546 F	G51-050-0-00327	1 <sup>13</sup> / <sub>16</sub> "	220,0	45	175,5	36,5	37,5	3.100	2,55
HSX 550 F	G51-050-0-00427	1 <sup>15</sup> / <sub>16</sub> "	221,0	45	178,0	36,5	40,0	4.100	2,65
HSX 555 F	G51-050-0-00727	2 <sup>1</sup> / <sub>8</sub> "	221,0	45	184,0	36,5	46,0	5.500	2,65
HSX 560 F	G51-050-0-00527	2 <sup>1</sup> / <sub>4</sub> "	221,0	45	186,0	36,5	48,0	5.500	2,75
HSX 565 F	G51-050-0-00627	2 <sup>1</sup> / <sub>2</sub> "	227,5	45	188,0	36,5	50,0	5.500	2,75
HSX 570 F	G51-050-0-00927	2 <sup>3</sup> / <sub>4</sub> "	227,5	45	193,5	36,5	55,5	5.500	2,75
HSX 575 F	G51-050-0-01227	2 <sup>15</sup> / <sub>16</sub> "	228,0	45	200,5	36,5	56,5	5.500	2,85
HSX 580 F	G51-050-0-00827	3 <sup>1</sup> / <sub>8</sub> "	228,0	45	202,0	36,5	58,5	5.500	2,85
HSX 585 F	G51-050-0-02325	3 <sup>1</sup> / <sub>4</sub> "	233,0	45	207,0	36,5	63,0	5.500	3,00

<b>Ratschenkopf</b> <i>Ratcheted head</i>	Wechseleinsatz <i>Exchangeable insert</i>	Code Nr. <i>Code no.</i>	SW (") <i>A/F (")</i>	Bemerkung <i>Notice</i>
<b>HSX 541 F</b>	HX 541 H 156	F93-092-9-04014	1 <sup>9</sup> / <sub>16</sub> "	
<b>HSX 555 F</b>	HX 555 H 163	F93-074-9-04116	1 <sup>5</sup> / <sub>8</sub> "	
	HX 555 H 169	F93-074-9-04316	1 <sup>11</sup> / <sub>16</sub> "	
	HX 555 H 175	F93-074-9-04516	1 <sup>3</sup> / <sub>4</sub> "	
	HX 555 H 181	F93-074-9-04616	1 <sup>13</sup> / <sub>16</sub> "	
	HX 555 H 188	F93-074-9-04816	1 <sup>7</sup> / <sub>8</sub> "	
	HX 555 H 194	F93-074-9-04916	1 <sup>15</sup> / <sub>16</sub> "	
	HX 555 H 200	F93-074-9-05116	2"	
	HX 555 H 206	F93-074-9-05216	2 <sup>1</sup> / <sub>16</sub> "	
	HX 555 H 213	F93-074-9-05416	2 <sup>1</sup> / <sub>8</sub> "	
<b>HSX 560 F</b>	HX 560 H 238	F93-080-9-06102	2 <sup>3</sup> / <sub>8</sub> "	
<b>HSX 565 F</b>	HX 565 H 250	F93-085-9-06405	2 <sup>1</sup> / <sub>2</sub> "	
	HX 565 H 256	F93-085-9-06605	2 <sup>9</sup> / <sub>16</sub> "	

<b>Ratschenkopf</b> <i>Ratched head</i>	Wechseleinsatz <i>Exchangeable insert</i>	Code Nr. <i>Code no.</i>	SW (") <i>A/F (")</i>	Bemerkung <i>Notice</i>
<b>HSX 570 F</b>	HX 570 H 213	F93-092-9-05415	2 <sup>1</sup> / <sub>8</sub> "	
	HX 570 H 219	F93-092-9-05615	2 <sup>1</sup> / <sub>4</sub> "	
	HX 570 H 225	F93-092-9-05715	2 <sup>1</sup> / <sub>4</sub> "	
	HX 570 H 238	F93-092-9-06015	2 <sup>3</sup> / <sub>8</sub> "	
	HX 570 H 244	F93-092-9-06215	2 <sup>7</sup> / <sub>16</sub> "	
	HX 570 H 250	F93-092-9-06415	2 <sup>1</sup> / <sub>2</sub> "	
	HX 570 H 256	F93-092-9-06515	2 <sup>9</sup> / <sub>16</sub> "	
	HX 570 H 263	F93-092-9-06715	2 <sup>5</sup> / <sub>8</sub> "	
	HX 570 H 269	F93-092-9-06815	2 <sup>11</sup> / <sub>16</sub> "	
	HX 570 H 275	F93-092-9-07015	2 <sup>3</sup> / <sub>4</sub> "	
<b>HSX 580 F</b>	HX 580 H 313	F93-102-9-07905	3 <sup>1</sup> / <sub>8</sub> "	

<b>Ratschenkopf</b> <i>Ratchet head</i>	Code Nr. <i>Code no.</i>	SW (mm) <i>A/F (mm)</i>	L1 (mm)	B (mm)	H (mm)	Z (mm)	R (mm)	MT <sub>max</sub> (Nm)	Gewicht <i>Weight</i> (kg)
HSX 536 W	G51-050-0-00124	max. 36	221,0	48,9	172,5	36,5	34,5	2.700	2,85
HSX 550 W	G51-050-0-00324	max. 50	221,0	48,9	184,0	36,5	46,0	5.000	2,95
HSX 555 W	G51-050-0-00424	max. 55	227,5	49,4	186,0	36,5	48,0	5.500	3,05
HSX 560 W	G51-050-0-00524	max. 60	227,5	49,4	189,0	36,5	51,0	5.500	3,05
HSX 565 W	G51-050-0-00624	max. 65	227,5	49,9	193,5	36,5	55,5	5.500	3,05
HSX 570 W	G51-050-0-00824	max. 70	228,0	49,9	200,5	36,5	56,5	5.500	3,25
HSX 575 W	G51-050-0-00724	max. 75	228,0	49,9	202,0	36,5	58,5	5.500	3,25
HSX 580 W	G51-050-0-00924	max. 80	233,0	45,0	207,0	36,5	63,0	5.500	3,00

<b>Ratschenkopf</b> <i>Ratched head</i>	Sechskanteinsatz <i>Hexagon key insert</i>	Code Nr. <i>Code no.</i>	SW (mm) <i>A/F (mm)</i>	Bemerkung <i>Notice</i>
<b>HSX 536 W</b>	HXW 536 H 24 M	F93-046-9-02405	24	
	HXW 536 H 27 M	F93-046-9-02705	27	
	HXW 536 H 30 M	F93-046-9-03005	30	
	HXW 536 H 32 M	F93-046-9-03205	32	
	HXW 536 H 36 M	F93-046-9-03605	36	
<b>HSX 550 W</b>	HXW 550 H 30 M	F93-063-9-03001	30	
	HXW 550 H 32 M	F93-063-9-03201	32	
	HXW 550 H 36 M	F93-063-9-03601	36	
	HXW 550 H 41 M	F93-063-9-04101	41	
	HXW 550 H 46 M	F93-063-9-04601	46	
	HXW 550 H 50 M	F93-063-9-05001	50	
<b>HSX 555 W</b>	HXW 555 H 30 M	F93-068-9-03001	30	
	HXW 555 H 32 M	F93-068-9-03201	32	
	HXW 555 H 36 M	F93-068-9-03601	36	
	HXW 555 H 41 M	F93-068-9-04101	41	
	HXW 555 H 46 M	F93-068-9-04601	46	
	HXW 555 H 50 M	F93-068-9-05001	50	
	HXW 555 H 55 M	F93-068-9-05501	55	
<b>HSX 560 W</b>	HXW 560 H 42 M	F93-076-9-04233	42	
	HXW 560 H 46 M	F93-076-9-04633	46	
	HXW 560 H 50 M	F93-076-9-05033	50	
	HXW 560 H 55 M	F93-076-9-05533	55	
	HXW 560 H 60 M	F93-076-9-06033	60	

<b>Ratschenkopf</b> <i>Ratched head</i>	Sechskanteinsatz <i>Hexagon key insert</i>	Code Nr. <i>Code no.</i>	SW (mm) <i>A/F (mm)</i>	Bemerkung <i>Notice</i>
<b>HSX 565 W</b>	HXW 565 H 46 M	F93-080-9-04603	46	
	HXW 565 H 50 M	F93-080-9-05003	50	
	HXW 565 H 54 M	F93-080-9-05403	54	
	HXW 565 H 55 M	F93-080-9-05503	55	
	HXW 565 H 58 M	F93-080-9-05803	58	
	HXW 565 H 60 M	F93-080-9-06003	60	
	HXW 565 H 63 M	F93-080-9-06303	63	
	HXW 565 H 65 M	F93-080-9-06503	65	
<b>HSX 570 W</b>	HXW 570 H 46 M	F93-085-9-04601	46	
	HXW 570 H 50 M	F93-085-9-05001	50	
	HXW 570 H 55 M	F93-085-9-05501	55	
	HXW 570 H 60 M	F93-085-9-06001	60	
	HXW 570 H 65 M	F93-085-9-06501	65	
	HXW 570 H 70 M	F93-085-9-07001	70	
<b>HSX 575 W</b>	HXW 575 H 24 M	F93-092-9-02420	24	
	HXW 575 H 27 M	F93-092-9-02720	27	
	HXW 575 H 30 M	F93-092-9-03020	30	
	HXW 575 H 32 M	F93-092-9-03220	32	
	HXW 575 H 36 M	F93-092-9-03620	36	
	HXW 575 H 41 M	F93-092-9-04120	41	
	HXW 575 H 46 M	F93-092-9-04620	46	
	HXW 575 H 50 M	F93-092-9-05020	50	
	HXW 575 H 55 M	F93-092-9-05520	55	
	HXW 575 H 60 M	F93-092-9-06020	60	
	HXW 575 H 65 M	F93-092-9-06520	65	
	HXW 575 H 70 M	F93-092-9-07020	70	
	HXW 575 H 75 M	F93-092-9-07520	75	
<b>HSX 580 W</b>	HXW 580 H 50 M	F93-099-9-05001	50	
	HXW 580 H 55 M	F93-099-9-05501	55	
	HXW 580 H 60 M	F93-099-9-06001	60	
	HXW 580 H 65 M	F93-099-9-06501	65	
	HXW 580 H 70 M	F93-099-9-07001	70	
	HXW 580 H 75 M	F93-099-9-07501	75	
	HXW 580 H 80 M	F93-099-9-08001	80	

Ratschenkopf <i>Ratchet head</i>	Code Nr. <i>Code no.</i>	SW (") <i>A/F (")</i>	L1 <i>(mm)</i>	B <i>(mm)</i>	H <i>(mm)</i>	Z <i>(mm)</i>	R <i>(mm)</i>	MT <sub>max</sub> <i>(Nm)</i>	Gewicht <i>Weight</i> <i>(kg)</i>
HSX 536 W	G51-050-0-00124	max. 1 <sup>3</sup> / <sub>8</sub> "	221,0	48,9	172,5	36,5	34,5	2.700	2,85
HSX 550 W	G51-050-0-00324	max. 1 <sup>15</sup> / <sub>16</sub> "	221,0	48,9	184,0	36,5	46,0	5.000	2,95
HSX 555 W	G51-050-0-00424	max. 2 <sup>1</sup> / <sub>8</sub> "	227,5	49,4	186,0	36,5	48,0	5.500	3,05
HSX 560 W	G51-050-0-00524	max. 2 <sup>5</sup> / <sub>16</sub> "	227,5	49,4	189,0	36,5	51,0	5.500	3,05
HSX 565 W	G51-050-0-00624	max. 2 <sup>1</sup> / <sub>2</sub> "	227,5	49,9	193,5	36,5	55,5	5.500	3,05
HSX 570 W	G51-050-0-00824	max. 2 <sup>3</sup> / <sub>4</sub> "	228,0	49,9	200,5	36,5	56,5	5.500	3,25
HSX 575 W	G51-050-0-00724	max. 2 <sup>15</sup> / <sub>16</sub> "	228,0	49,9	202,0	36,5	58,5	5.500	3,25
HSX 580 W	G51-050-0-00924	max. 3 <sup>1</sup> / <sub>8</sub> "	233,0	45,0	207,0	36,5	63,0	5.500	3,00

<b>Ratschenkopf</b> <i>Ratched head</i>	Wechseleinsatz <i>Exchangeable insert</i>	Code Nr. <i>Code no.</i>	SW (") <i>A/F (")</i>	Bemerkung <i>Notice</i>
<b>HSX 536 W</b>	HXW 536 H 094	F93-046-9-02406	1 <sup>5</sup> / <sub>16</sub> "	
	HXW 536 H 100	F93-046-9-02506	1"	
	HXW 536 H 106	F93-046-9-02706	1 <sup>1</sup> / <sub>16</sub> "	
	HXW 536 H 113	F93-046-9-02906	1 <sup>1</sup> / <sub>8</sub> "	
	HXW 536 H 119	F93-046-9-03006	1 <sup>3</sup> / <sub>16</sub> "	
	HXW 536 H 125	F93-046-9-03206	1 <sup>1</sup> / <sub>4</sub> "	
	HXW 536 H 131	F93-046-9-03306	1 <sup>5</sup> / <sub>16</sub> "	
	HXW 536 H 138	F93-046-9-03506	1 <sup>3</sup> / <sub>8</sub> "	

<b>Ratschenkopf</b> <i>Ratched head</i>	Wechseleinsatz <i>Exchangeable insert</i>	Code Nr. <i>Code no.</i>	SW (") <i>A/F (")</i>	Bemerkung <i>Notice</i>
<b>HSX 550 W</b>	HXW 550 H 163	F93-063-9-04102	1 <sup>5</sup> / <sub>8</sub> "	
	HXW 550 H 169	F93-063-9-04302	1 <sup>11</sup> / <sub>16</sub> "	
	HXW 550 H 175	F93-063-9-04502	1 <sup>3</sup> / <sub>4</sub> "	
	HXW 550 H 181	F93-063-9-04602	1 <sup>13</sup> / <sub>16</sub> "	
	HXW 550 H 188	F93-063-9-04802	1 <sup>7</sup> / <sub>8</sub> "	
	HXW 550 H 194	F93-063-9-04902	1 <sup>15</sup> / <sub>16</sub> "	
<b>HSX 555 W</b>	HXW 555 H 181	F93-068-9-04604	1 <sup>13</sup> / <sub>16</sub> "	
	HXW 555 H 188	F93-068-9-04804	1 <sup>7</sup> / <sub>8</sub> "	
	HXW 555 H 194	F93-068-9-04904	1 <sup>15</sup> / <sub>16</sub> "	
	HXW 555 H 200	F93-068-9-05104	2"	
	HXW 555 H 206	F93-068-9-05204	2 <sup>1</sup> / <sub>16</sub> "	
	HXW 555 H 213	F93-068-9-05404	2 <sup>1</sup> / <sub>8</sub> "	
	HXW 555 H 219	F93-068-9-05604	2 <sup>3</sup> / <sub>16</sub> "	
<b>HSX 560 W</b>	HXW 560 H 219	F93-076-9-05633	2 <sup>3</sup> / <sub>16</sub> "	
<b>HSX 565 W</b>	HXW 565 H 194	F93-080-9-04904	1 <sup>15</sup> / <sub>16</sub> "	
	HXW 565 H 200	F93-080-9-05104	2"	
	HXW 565 H 206	F93-080-9-05204	2 <sup>1</sup> / <sub>16</sub> "	
	HXW 565 H 213	F93-080-9-05404	2 <sup>1</sup> / <sub>8</sub> "	
	HXW 565 H 219	F93-080-9-05604	2 <sup>3</sup> / <sub>16</sub> "	
	HXW 565 H 225	F93-080-9-05704	2 <sup>1</sup> / <sub>4</sub> "	
	HXW 565 H 238	F93-080-9-06004	2 <sup>3</sup> / <sub>8</sub> "	
	HXW 565 H 244	F93-080-9-06204	2 <sup>7</sup> / <sub>16</sub> "	
	HXW 565 H 250	F93-080-9-06404	2 <sup>1</sup> / <sub>2</sub> "	
	HXW 565 H 256	F93-080-9-06504	2 <sup>9</sup> / <sub>16</sub> "	
<b>HSX 570 W</b>	HXW 570 H 238	F93-085-9-06002	2 <sup>3</sup> / <sub>8</sub> "	
	HXW 570 H 256	F93-085-9-06502	2 <sup>9</sup> / <sub>16</sub> "	
	HXW 570 H 263	F93-085-9-06702	2 <sup>5</sup> / <sub>8</sub> "	
	HXW 570 H 269	F93-085-9-06802	2 <sup>11</sup> / <sub>16</sub> "	
	HXW 570 H 275	F93-085-9-07002	2 <sup>3</sup> / <sub>4</sub> "	
<b>HSX 575 W</b>	HXW 575 H 238	F93-092-9-06022	2 <sup>3</sup> / <sub>8</sub> "	
	HXW 575 H 244	F93-092-9-06222	2 <sup>7</sup> / <sub>16</sub> "	
	HXW 575 H 250	F93-092-9-06422	2 <sup>1</sup> / <sub>2</sub> "	
	HXW 575 H 256	F93-092-9-06522	2 <sup>9</sup> / <sub>16</sub> "	
	HXW 575 H 263	F93-092-9-06722	2 <sup>5</sup> / <sub>8</sub> "	
	HXW 575 H 269	F93-092-9-06822	2 <sup>11</sup> / <sub>16</sub> "	
	HXW 575 H 275	F93-092-9-07022	2 <sup>3</sup> / <sub>4</sub> "	
	HXW 575 H 281	F93-092-9-07122	2 <sup>13</sup> / <sub>16</sub> "	
	HXW 575 H 294	F93-092-9-07522	2 <sup>15</sup> / <sub>16</sub> "	
<b>HSX 580 W</b>	HXW 580 H 288	F93-099-9-07301	2 <sup>7</sup> / <sub>8</sub> "	
	HXW 580 H 300	F93-099-9-07601	3"	

## SX - EC 8

Antriebseinheit <i>Drive unit</i>	Code Nr. <i>Code no.</i>	Leistungsbereich <i>Performance range</i>	B2 B2	Gewicht <i>Weight</i>
SX - EC 8 TS	G52-080-0-00200	800 - 8.500 Nm	55 mm	3,0 kg

Ratschenkopf <i>Ratchet head</i>	Code Nr. <i>Code no.</i>	SW (mm) <i>A/F (mm)</i>	L1 (mm)	B (mm)	H (mm)	Z (mm)	R (mm)	MT <sub>max</sub> (Nm)	Gewicht <i>Weight</i> (kg)
HSX 870 F	G51-080-0-00400	70	250	48,0	207	40	55,0	8.500	4,8
HSX 880 F	G51-080-0-00300	80	250	48,0	211	40	59,5	8.500	6,7

<b>Ratschenkopf</b> <i>Ratched head</i>	Wechseleinsatz Exchangeable insert	Code Nr. Code no.	SW (mm) A/F (mm)	Bemerkung notice
<b>HSX 870 F</b>	HXW 870 H 46	F93-093-9-04600	46	
	HXW 870 H 50	F93-093-9-05000	50	
	HXW 870 H 55	F93-093-9-05500	55	
	HXW 870 H 60	F93-093-9-06000	60	
	HXW 870 H 70	F93-093-9-07000	70	
<b>HSX 880 F</b>	HXW 880 H 65	F93-102-9-06515	65	
	HXW 880 H 70	F93-102-9-07015	70	
	HXW 880 H 75	F93-102-9-07515	75	
	HXW 880 H 80	F93-102-9-08015	80	

## SX - EC 12

Antriebseinheit <i>Drive unit</i>	Code Nr. Code no.	Leistungsbereich Performance range	B2	Gewicht Weight
SX - EC 12 TS	G52-120-0-00315	1.200 - 12.000 Nm	64 mm	3,8 kg
SX - EC 12 MS-O	G52-120-0-00115	1.200 - 12.000 Nm	64 mm	3,9 kg
SX - EC 12 MS-H	G52-120-0-00415	1.200 - 12.000 Nm	64 mm	3,9 kg
SX - EC 12 MF	G52-120-0-00215	1.200 - 12.000 Nm	64 mm	3,8 kg

Ratschenkopf <i>Ratchet head</i>	Code Nr. Code no.	SW (mm) A/F (mm)	L1 (mm)	B (mm)	H (mm)	Z (mm)	R (mm)	MT <sub>max</sub> (Nm)	Gewicht Weight (kg)
HSX 12055 F	G51-120-0-00520	55	290,0	51	214,5	32,5	49,0	7.500	3,9
HSX 12060 F	G51-120-0-00620	60	293,5	51	217,5	32,5	52,0	7.500	3,9
HSX 12065 F	G51-120-0-01320	65	296,5	51	220,0	32,5	54,5	8.000	3,9
HSX 12070 F	G51-120-0-00720	70	298,0	51	226,5	32,5	61,0	11.500	4,0
HSX 12075 F	G51-120-0-01520	75	298,0	51	228,0	32,5	62,5	12.000	4,0
HSX 12080 F	G51-120-0-00120	80	298,0	51	232,0	32,5	66,5	12.000	4,1
HSX 12085 F	G51-120-0-01120	85	300,0	51	234,5	32,5	69,0	12.000	4,2
HSX 12090 F	G51-120-0-01220	90	300,0	51	238,0	32,5	72,5	12.000	4,2
HSX 12095 F	G51-120-0-00220	95	300,0	51	238,0	32,5	72,5	12.000	4,3
HSX 12100 F	G51-120-0-00826	100	300,0	51	245,5	32,5	75,0	12.000	4,4
HSX 12105 F	G51-120-0-01620	105	300,5	51	247,0	32,5	76,5	12.000	4,5
HSX 12110 F	G51-120-0-01720	110	305,0	51	258,0	32,5	83,0	12.000	4,6
HSX 12115 F	G51-120-0-00110	115	306,0	51	257,0	32,5	83,5	12.000	4,6
HSX 12120 F	G51-120-0-01422	120	311,0	51	264,5	32,5	85,0	12.000	4,6

<b>Ratschenkopf</b> <i>Ratched head</i>	Sechskanteinsatz Hexagon key insert	Code Nr. Code no.	SW (mm) A/F (mm)	Bemerkung Notice
<b>HSX 12060 F</b>	HX 12060 H 50 M	F93-086-9-05022	50	
	HX 12060 H 51 M	F93-086-9-05122	51	
	HX 12060 H 55 M	F93-086-9-05522	55	
	HX 12060 H 56 M	F93-086-9-05622	56	
	HX 12060 H 60 M	F93-086-9-06022	60	
<b>HSX 12065 F</b>	HX 12065 H 50 M	F93-090-9-05007	50	
	HX 12060 H 55 M	F93-090-9-05507	55	
	HX 12060 H 60 M	F93-090-9-06007	60	
	HX 12060 H 63 M	F93-090-9-06307	63	
	HX 12060 H 65 M	F93-090-9-06507	65	
<b>HSX 12070 F</b>	HX 12070 H 50 M	F93-098-9-05003	50	
	HX 12070 H 55 M	F93-098-9-05503	55	
	HX 12070 H 60 M	F93-098-9-06003	60	
	HX 12070 H 65 M	F93-098-9-06503	65	
	HX 12070 H 67 M	F93-098-9-06703	67	
HX 12070 H 70 M	F93-098-9-07003	70		

<b>Ratschenkopf</b> <i>Ratched head</i>	Sechskanteinsatz <i>Hexagon key insert</i>	Code Nr. <i>Code no.</i>	SW (mm) <i>A/F (mm)</i>	Bemerkung <i>Notice</i>
<b>HSX 12075 F</b>	HX 12075 H 46 M	F93-102-9-04610	46	
	HX 12075 H 55 M	F93-102-9-05510	55	
	HX 12075 H 60 M	F93-102-9-06010	60	
	HX 12075 H 65 M	F93-102-9-06510	65	
	HX 12075 H 70 M	F93-102-9-07010	70	
	HX 12075 H 75 M	F93-102-9-07510	75	
<b>HSX 12080 F</b>	HX 12080 H 57 M	F93-108-9-05710	57	
	HX 12080 H 65 M	F93-108-9-06510	65	
	HX 12080 H 70 M	F93-108-9-07010	70	
	HX 12080 H 71 M	F93-108-9-07110	71	
	HX 12080 H 75 M	F93-108-9-07510	75	
	HX 12080 H 77 M	F93-108-9-07710	77	
	HX 12080 H 80 M	F93-108-9-08010	80	
<b>HSX 12085 F</b>	HX 12085 H 80 M	F93-108-9-05710	57	
	HX 12085 H 85 M	F93-108-9-06510	65	
<b>HSX 12090 F</b>	HX 12090 H 75 M	F93-122-9-07522	75	
	HX 12090 H 80 M	F93-122-9-08022	80	
	HX 12090 H 85 M	F93-122-9-08522	85	
	HX 12090 H 90 M	F93-122-9-09022	90	
<b>HSX 12095 F</b>	HX 12095 H 65 M	F93-123-9-06501	65	
	HX 12095 H 70 M	F93-123-9-07001	70	
	HX 12095 H 75 M	F93-123-9-07501	75	
	HX 12095 H 80 M	F93-123-9-08001	80	
	HX 12095 H 85 M	F93-123-9-08501	85	
	HX 12095 H 90 M	F93-123-9-09001	90	
	HX 12095 H 95 M	F93-123-9-09501	95	
<b>HSX 12100 F</b>	HX 12100 H 70 M	F93-130-9-07005	70	
	HX 12100 H 75 M	F93-130-9-07505	75	
	HX 12100 H 80 M	F93-130-9-08005	80	
	HX 12100 H 85 M	F93-130-9-08505	85	
	HX 12100 H 90 M	F93-130-9-09005	90	
	HX 12100 H 95 M	F93-130-9-09505	95	
	HX 12100 H 100 M	F93-130-9-10005	100	

<b>Ratschenkopf</b> <i>Ratchet head</i>	Code Nr. <i>Code no.</i>	SW (") <i>A/F (")</i>	L1 <i>(mm)</i>	B <i>(mm)</i>	H <i>(mm)</i>	Z <i>(mm)</i>	R <i>(mm)</i>	MT <sub>max</sub> <i>(Nm)</i>	Gewicht <i>Weight</i> <i>(kg)</i>
HSX 12055 F	G51-120-0-00525	2 1/8"	290,0	51	214,5	32,5	49,0	7.500	3,9
HSX 12060 F	G51-120-0-00625	2 5/16"	293,5	51	217,5	32,5	52,0	7.500	3,9
HSX 12065 F	G51-120-0-01325	2 1/2"	296,5	51	220,0	32,5	54,5	8.000	3,9
HSX 12070 F	G51-120-0-00725	2 3/4"	298,0	51	226,5	32,5	61,0	11.500	4,0
HSX 12075 F	G51-120-0-01425	2 15/16"	298,0	51	228,0	32,5	62,5	12.000	4,0
HSX 12080 F	G51-120-0-00125	3 1/8"	298,0	51	232,0	32,5	66,5	12.000	4,1
HSX 12085 F	G51-120-0-01125	3 5/16"	300,0	51	234,5	32,5	69,0	12.000	4,2
HSX 12090 F	G51-120-0-01225	3 1/2"	300,0	51	238,0	32,5	72,5	12.000	4,2
HSX 12095 F	G51-120-0-00225	3 3/4"	300,0	51	238,0	32,5	72,5	12.000	4,3
HSX 12100 F	G51-120-0-00526	3 7/8"	300,0	51	245,5	32,5	75,0	12.000	4,4
HSX 12105 F	G51-120-0-01725	4 1/8"	300,5	51	247,0	32,5	76,5	12.000	4,5
HSX 12110 F	G51-120-0-00825	4 1/4"	305,0	51	258,0	32,5	83,0	12.000	4,6
HSX 12120 F	G51-120-0-01525	4 5/8"	311,0	51	264,5	32,5	85,0	12.000	4,6

<b>Ratschenkopf</b> <i>Ratched head</i>	Wechseleinsatz <i>Exchangeable insert</i>	Code Nr. <i>Code no.</i>	SW (") <i>A/F (")</i>	Bemerkung <i>Notice</i>
<b>HSX 12100 F</b>	HX 12100 H 388	F93-130-9-09905	3 7/8"	

Ratschenkopf <i>Ratchet head</i>	Code Nr. <i>Code no.</i>	SW (mm) <i>A/F (mm)</i>	L1  (mm)	B  (mm)	H  (mm)	Z  (mm)	R  (mm)	MT <sub>max</sub>  (Nm)	Gewicht <i>Weight</i> (kg)
HSX 12055 W	G51-120-0-00924	max. 55	296,5	57	220,0	32,5	54,5	8.000	4,2
HSX 12060 W	G51-120-0-01224	max. 60	298,0	57	226,5	32,5	61,0	7.500	4,2
HSX 12065 W	G51-120-0-00424	max. 65	298,0	57	226,5	32,5	61,0	11.000	4,3
HSX 12070 W	G51-120-0-00126	max. 70	300,0	58	234,5	32,5	69,0	11.500	4,5
HSX 12075 W	G51-120-0-00324	max. 75	300,0	58	238,0	32,5	72,5	12.000	4,5
HSX 12080 W	G51-120-0-00124	max. 80	300,0	58	234,5	32,5	69,0	12.000	4,5
HSX 12085 W	G51-120-0-00224	max. 85	300,0	58	238,0	32,5	72,5	12.000	4,5
HSX 12090 W	G51-120-0-00226	max. 90	299,5	58	245,5	32,5	75,0	11.000	4,6
HSX 12095 W	G51-120-0-01124	max. 95	300,5	58	247,0	32,5	76,5	12.000	4,7
HSX 12115 W	G51-120-0-01324	max. 115	316,0	58	273,5	32,5	90,0	12.000	4,9

Ratschenkopf <i>Ratched head</i>	Wechseleinsatz <i>Exchangeable insert</i>	Code Nr. <i>Code no.</i>	SW (mm) <i>A/F (mm)</i>	Bemerkung <i>Notice</i>
<b>HSX 12055 W</b>	HXW 12055 H 41M	F93-074-9-04117	41	
	HXW 12055 H 46M	F93-074-9-04617	46	
	HXW 12055 H 50M	F93-074-9-05017	50	
	HXW 12055 H 55M	F93-074-9-05517	55	
<b>HSX 12065 W</b>	HXW 12065 H 36M	F93-082-9-03601	36	
	HXW 12065 H 41M	F93-082-9-04101	41	
	HXW 12065 H 46M	F93-082-9-04601	46	
	HXW 12065 H 50M	F93-082-9-05001	50	
	HXW 12065 H 55M	F93-082-9-05501	55	
	HXW 12065 H 60M	F93-082-9-06001	60	
	HXW 12065 H 65M	F93-082-9-06501	65	
<b>HSX 12070 W</b>	HXW 12070 H 56M	F93-096-9-05632	56	
	HXW 12070 H 70M	F93-096-9-07032	70	
<b>HSX 12075 W</b>	HXW 12075 H 55M	F93-102-9-05512	55	
	HXW 12075 H 60M	F93-102-9-06012	60	
	HXW 12075 H 65M	F93-102-9-06512	65	
	HXW 12075 H 70M	F93-102-9-07012	70	
	HXW 12075 H 75M	F93-102-9-07512	75	
<b>HSX 12080 W</b>	HXW 12080 H 46M	F93-100-9-04602	46	
	HXW 12080 H 50M	F93-100-9-05002	50	
	HXW 12080 H 55M	F93-100-9-05502	55	
	HXW 12080 H 60M	F93-100-9-06002	60	
	HXW 12080 H 65M	F93-100-9-06502	65	
	HXW 12080 H 70M	F93-100-9-07002	70	
	HXW 12080 H 75M	F93-100-9-07502	75	
	HXW 12080 H 80M	F93-100-9-08002	80	
<b>HSX 12085 W</b>	HXW 12085 H 41M	F93-106-9-04101	41	
	HXW 12085 H 46M	F93-106-9-04601	46	
	HXW 12085 H 50M	F93-106-9-05001	50	
	HXW 12085 H 55M	F93-106-9-05501	55	
	HXW 12085 H 60M	F93-106-9-06001	60	
	HXW 12085 H 65M	F93-106-9-06501	65	
	HXW 12085 H 70M	F93-106-9-07001	70	
	HXW 12085 H 75M	F93-106-9-07501	75	
	HXW 12085 H 77M	F93-106-9-07701	77	
	HXW 12085 H 80M	F93-106-9-08001	80	
HXW 12085 H 85M	F93-106-9-08501	85		
<b>HSX 12090 W</b>	HXW 12090 H 70M	F93-114-9-07001	70	
	HXW 12090 H 75M	F93-114-9-07501	75	
	HXW 12090 H 80M	F93-114-9-08001	80	
	HXW 12090 H 85M	F93-114-9-08501	85	
	HXW 12090 H 90M	F93-114-9-09001	90	

<b>Ratschenkopf</b> <i>Ratched head</i>	Wechseleinsatz <i>Exchangeable insert</i>	Code Nr. <i>Code no.</i>	SW (mm) <i>A/F (mm)</i>	Bemerkung <i>Notice</i>
<b>HSX 12095 W</b>	HXW 12095 H 65M	F93-118-9-06501	65	
	HXW 12095 H 75M	F93-118-9-07501	75	
	HXW 12095 H 77M	F93-118-9-07701	77	
	HXW 12095 H 80M	F93-118-9-08001	80	
	HXW 12095 H 85M	F93-118-9-08501	85	
	HXW 12095 H 90M	F93-118-9-09001	90	
	HXW 12095 H 95M	F93-118-9-09501	95	
<b>HSX 12115 W</b>	HXW 12115 H 75M	F93-144-9-07509	75	
	HXW 12115 H 100M	F93-144-9-10009	100	
	HXW 12115 H 115M	F93-144-9-11509	115	

<b>Ratschenkopf</b> <i>Ratchet head</i>	Code Nr. <i>Code no.</i>	SW (") <i>A/F (")</i>	L1 (mm)	B (mm)	H (mm)	Z (mm)	R (mm)	MT <sub>max</sub> (Nm)	Gewicht <i>Weight</i> (kg)
HSX 12055 W	G51-120-0-00924	max. 2 <sup>1</sup> / <sub>8</sub> "	296,5	57	220,0	32,5	54,5	8.000	4,2
HSX 12060 W	G51-120-0-01224	max. 2 <sup>5</sup> / <sub>16</sub> "	298,0	57	226,5	32,5	61,0	7.500	4,2
HSX 12065 W	G51-120-0-00424	max. 2 <sup>1</sup> / <sub>2</sub> "	298,0	57	226,5	32,5	61,0	11.500	4,3
HSX 12070 W	G51-120-0-00126	max. 2 <sup>3</sup> / <sub>4</sub> "	300,0	58	234,5	32,5	69,0	12.000	4,5
HSX 12075 W	G51-120-0-00324	max. 2 <sup>15</sup> / <sub>16</sub> "	300,0	58	238,0	32,5	72,5	12.000	4,5
HSX 12080 W	G51-120-0-00124	max. 3 <sup>1</sup> / <sub>8</sub> "	300,0	58	234,5	32,5	69,0	12.000	4,5
HSX 12085 W	G51-120-0-00224	max. 3 <sup>5</sup> / <sub>16</sub> "	300,0	58	238,0	32,5	72,5	12.000	4,5
HSX 12090 W	G51-120-0-00226	max. 3 <sup>1</sup> / <sub>2</sub> "	299,5	58	245,5	32,5	75,0	11.000	4,6
HSX 12095 W	G51-120-0-01124	max. 3 <sup>5</sup> / <sub>8</sub> "	300,5	58	247,0	32,5	76,5	12.000	4,7
HSX 12115 W	G51-120-0-01324	max. 4 <sup>1</sup> / <sub>2</sub> "	316,0	58	273,5	32,5	90,0	12.000	4,9

<b>Ratschenkopf</b> <i>Ratched head</i>	Wechseleinsatz <i>Exchangeable insert</i>	Code Nr. <i>Code no.</i>	SW (") <i>A/F (")</i>	Bemerkung <i>Notice</i>
<b>HSX 12055 W</b>	HXW 12055 H 200	F93-074-9-05118	2"	
<b>HSX 12065 W</b>	HXW 12065 H 256	F93-082-9-06502	2 <sup>9</sup> / <sub>16</sub> "	
<b>HSX 12080 W</b>	HXW 12080 H 181	F93-100-9-04603	1 <sup>13</sup> / <sub>16</sub> "	
	HXW 12080 H 188	F93-100-9-04803	1 <sup>7</sup> / <sub>8</sub> "	
	HXW 12080 H 194	F93-100-9-05003	1 <sup>15</sup> / <sub>16</sub> "	
	HXW 12080 H 200	F93-100-9-05103	2"	
	HXW 12080 H 206	F93-100-9-05203	2 <sup>1</sup> / <sub>16</sub> "	
	HXW 12080 H 213	F93-100-9-05403	2 <sup>1</sup> / <sub>8</sub> "	
	HXW 12080 H 219	F93-100-9-05603	2 <sup>3</sup> / <sub>16</sub> "	
	HXW 12080 H 225	F93-100-9-05703	2 <sup>1</sup> / <sub>4</sub> "	
	HXW 12080 H 238	F93-100-9-06003	2 <sup>3</sup> / <sub>8</sub> "	
	HXW 12080 H 244	F93-100-9-06203	2 <sup>7</sup> / <sub>16</sub> "	
	HXW 12080 H 250	F93-100-9-06403	2 <sup>1</sup> / <sub>2</sub> "	
	HXW 12080 H 256	F93-100-9-06503	2 <sup>9</sup> / <sub>16</sub> "	
	HXW 12080 H 263	F93-100-9-06703	2 <sup>5</sup> / <sub>8</sub> "	
	HXW 12080 H 269	F93-100-9-06803	2 <sup>11</sup> / <sub>16</sub> "	
	HXW 12080 H 275	F93-100-9-07003	2 <sup>3</sup> / <sub>4</sub> "	
	HXW 12080 H 281	F93-100-9-07103	2 <sup>13</sup> / <sub>16</sub> "	
	HXW 12080 H 294	F93-100-9-07503	2 <sup>15</sup> / <sub>16</sub> "	
	HXW 12080 H 300	F93-100-9-07603	3"	
	HXW 12080 H 313	F93-100-9-08003	3 <sup>1</sup> / <sub>8</sub> "	
<b>HSX 12085 W</b>	HXW 12085 H 300	F93-106-9-07602	3"	
	HXW 12085 H 313	F93-106-9-08002	3 <sup>1</sup> / <sub>8</sub> "	
	HXW 12085 H 325	F93-106-9-08302	3 <sup>1</sup> / <sub>4</sub> "	
	HXW 12085 H 331	F93-106-9-08402	3 <sup>5</sup> / <sub>16</sub> "	



**SX - EC 20**

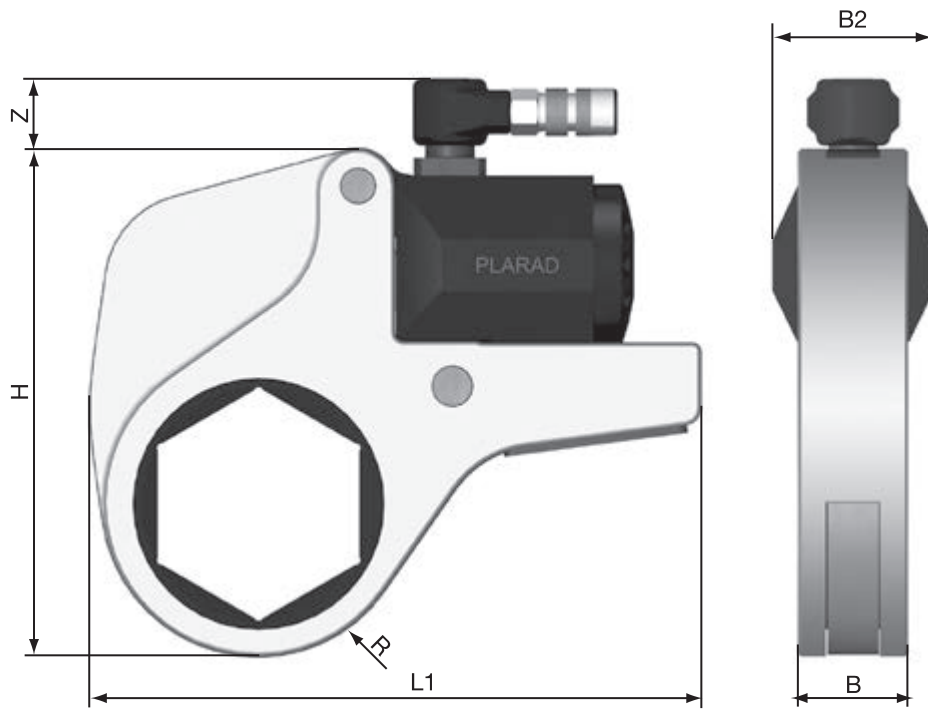
Antriebseinheit <i>Drive unit</i>	Code Nr. <i>Code no.</i>	Leistungsbereich <i>Performance range</i>	B2	Gewicht <i>Weight</i>
SX - EC 20 TS	G52-200-0-00315	2.000 - 20.000 Nm	80 mm	5,4 kg

Ratschenkopf <i>Ratchet head</i>	Code Nr. <i>Code no.</i>	SW (mm) <i>A/F (mm)</i>	L1  (mm)	B  (mm)	H  (mm)	Z  (mm)	R  (mm)	MT <sub>max</sub>  (Nm)	Gewicht <i>Weight</i> (kg)
HSX 20055 F	G51-200-0-01225	55	340	65,5	259,0	40,5	53,0	12.000	9,6
HSX 20065 F	G51-200-0-00225	65	347	65,5	270,0	40,5	59,0	13.000	9,7
HSX 20075 F	G51-200-0-00325	75	354	65,5	272,5	40,5	61,5	14.000	9,9
HSX 20080 F	G51-200-0-00925	80	355	65,5	276,0	40,5	65,0	15.500	10,0
HSX 20090 F	G51-200-0-00425	90	357	65,5	281,5	40,5	70,5	16.000	10,1
HSX 20095 F	G51-200-0-00525	95	357	65,5	286,5	40,5	75,5	20.000	10,4
HSX 20105 F	G51-200-0-00625	105	360	65,5	296,0	40,5	82,5	20.000	10,6
HSX 20110 F	G51-200-0-00725	110	362	65,5	296,5	40,5	85,5	20.000	10,9
HSX 20115 F	G51-200-0-01125	115	360	65,5	298,5	40,5	87,5	20.000	11,1
HSX 20120 F	G51-200-0-00825	120	363	65,5	301,5	40,5	90,5	20.000	11,3
HSX 20130 F	G51-200-0-01025	130	367	65,5	314,0	40,5	95,0	20.000	12,4
HSX 20135 F	G51-200-0-01325	135	369	65,5	316,0	40,5	97,0	20.000	12,8
HSX 20145 F	G51-200-0-01625	145	377	65,5	333,0	40,5	105,0	20.000	13,7

Ratschenkopf <i>Ratched head</i>	Wechseleinsatz <i>Exchangeable insert</i>	Code Nr. <i>Code no.</i>	SW (mm) <i>A/F (mm)</i>	Bemerkung <i>Notice</i>
<b>HSX 20065 F</b>	HX 20065 H 65 M	F93-094-9-06502	65	
<b>HSX 20075 F</b>	HX 20075 H 50 M	F93-102-9-05011	50	
	HX 20075 H 55 M	F93-102-9-05511	55	
	HX 20075 H 65 M	F93-102-9-06511	65	
	HX 20075 H 70 M	F93-102-9-07011	70	
	HX 20075 H 75 M	F93-102-9-07511	75	
<b>HSX 20080 F</b>	HX 20080 H 75 M	F93-108-9-07509	75	
	HX 20080 H 77 M	F93-108-9-07709	77	
	HX 20080 H 80 M	F93-108-9-08009	80	
<b>HSX 20095 F</b>	HX 20095 H 80 M	F93-126-9-08009	80	
	HX 20095 H 85 M	F93-126-9-08509	85	
	HX 20095 H 90 M	F93-126-9-09009	90	
	HX 20095 H 95 M	F93-126-9-09509	95	
<b>HSX 20105 F</b>	HX 20105 H 105 M	F93-138-9-10501	105	
<b>HSX 20110 F</b>	HX 20110 H 110 M	F93-146-9-11001	110	
<b>HSX 20115 F</b>	HX 20115 H 110 M	F93-148-9-11000	110	
	HX 20115 H 115 M	F93-148-9-11500	115	
<b>HSX 20130 F</b>	HX 20130 H 130 M	F93-166-9-13001	130	

Ratschenkopf <i>Ratchet head</i>	Code Nr. <i>Code no.</i>	SW (mm/") <i>A/F (mm/")</i>	L1  (mm)	B  (mm)	H  (mm)	Z  (mm)	R  (mm)	MT <sub>max</sub>  (Nm)	Gewicht <i>Weight</i>  (kg)
HSX 20065 F	G51-200-0-00227	2 1/2"	347	65,5	270,0	40,5	59,0	13.000	9,7
HSX 20075 F	G51-200-0-00327	2 15/16"	354	65,5	272,5	40,5	61,5	14.000	9,9
HSX 20080 F	G51-200-0-01327	3 1/8"	355	65,5	276,0	40,5	65,0	15.500	10,0
HSX 20090 F	G51-200-0-00427	3 1/2"	357	65,5	281,5	40,5	70,5	16.000	10,1
HSX 20095 F	G51-200-0-00527	3 5/8"	357	65,5	286,5	40,5	75,5	20.000	10,4
HSX 20105 F	G51-200-0-00627	4 1/8"	360	65,5	296,0	40,5	82,5	20.000	10,6
HSX 20110 F	G51-200-0-00727	4 5/16"	362	65,5	296,5	40,5	85,5	20.000	10,9
HSX 20120 F	G51-200-0-00827	4 5/8"	363	65,5	301,5	40,5	90,5	20.000	11,3
HSX 20130 F	G51-200-0-00927	5 1/16"	367	65,5	314,0	40,5	95,0	20.000	12,4
HSX 20135 F	G51-200-0-01326	5 1/4"	369	65,5	316,0	40,5	97,0	20.000	12,8
HSX 20145 F	G51-200-0-01626	5 3/8"	377	65,5	333,0	40,5	105,0	20.000	13,7
HSX 20065 W	G51-200-0-00624	max. 65	354	65,5	272,5	40,5	61,5	14.000	11,0
HSX 20085 W	G51-200-0-00224	max. 85	357	65,5	286,5	40,5	75,5	20.000	11,1
HSX 20095 W	G51-200-0-00324	max. 95	360	65,5	296,0	40,5	85,0	20.000	11,3
HSX 20105 W	G51-200-0-01224	max. 105	360	65,5	298,5	40,5	87,5	20.000	11,6
HSX 20115 W	G51-200-0-01124	max. 115	364	65,5	302,5	40,5	91,5	20.000	11,9
HSX 20120 W	G51-200-0-01024	max. 120	367	65,5	314,0	40,5	95,0	20.000	12,4
HSX 20135 W	G51-200-0-01324	max. 135	377	65,5	333,0	40,5	105,0	20.000	12,9
HSX 20065 W	G51-200-0-00624	max. 2 1/2"	354	65,5	272,5	40,5	61,5	14.000	11,0
HSX 20085 W	G51-200-0-00224	max. 3 5/16"	357	65,5	286,5	40,5	75,5	20.000	11,1
HSX 20095 W	G51-200-0-00324	max. 3 5/8"	360	65,5	296,0	40,5	85,0	20.000	11,3
HSX 20105 W	G51-200-0-01224	max. 4 1/8"	360	65,5	298,5	40,5	87,5	20.000	11,6
HSX 20115 W	G51-200-0-01124	max. 4 1/2"	364	65,5	302,5	40,5	91,5	20.000	11,9
HSX 20120 W	G51-200-0-01024	max. 4 5/8"	367	65,5	314,0	40,5	95,0	20.000	12,4
HSX 20135 W	G51-200-0-01324	max. 5 5/8"	377	65,5	333,0	40,5	105,0	20.000	12,9

Ratschenkopf <i>Ratched head</i>	Wechseleinsatz <i>Exchangeable insert</i>	Code Nr. <i>Code no.</i>	SW (mm) <i>A/F (mm)</i>	Bemerkung <i>Notice</i>
<b>HSX 20095 W</b>	HXW 20095 H 65 M	F93-122-9-06523	65	
	HXW 20095 H 75 M	F93-122-9-07523	75	
	HXW 20095 H 85 M	F93-122-9-08523	85	
	HXW 20095 H 95 M	F93-122-9-09523	95	
<b>HSX 20105 W</b>	HXW 20105 H 75 M	F93-132-9-07501	75	
	HXW 20105 H 77 M	F93-132-9-07701	77	
	HXW 20105 H 80 M	F93-132-9-08001	80	
	HXW 20105 H 85 M	F93-132-9-08501	85	
	HXW 20105 H 90 M	F93-132-9-09001	90	
	HXW 20105 H 95 M	F93-132-9-09501	95	
	HXW 20105 H 100 M	F93-132-9-10001	100	
	HXW 20105 H 105 M	F93-132-9-10501	105	
<b>HSX 20115 W</b>	HXW 20115 H 109 M	F93-144-9-10906	109	
	HXW 20115 H 110 M	F93-144-9-11008	110	
	HXW 20115 H 115 M	F93-144-9-11508	115	
<b>HSX 20120 W</b>	HXW 20120 H 105 M	F93-150-9-10501	105	
	HXW 20120 H 110 M	F93-150-9-11001	110	
	HXW 20120 H 115 M	F93-150-9-11501	115	
	HXW 20120 H 120 M	F93-150-9-12001	120	
<b>HSX 20120 W</b>	HXW 20120 HD 105 M	F93-150-8-10501	105	
	HXW 20120 HD 110 M	F93-150-8-11001	110	
	HXW 20120 HD 115 M	F93-150-8-11501	115	
	HXW 20120 HD 120 M	F93-150-8-12001	120	



**SX - 30**

Antriebseinheit <i>Drive unit</i>	Code Nr. <i>Code no.</i>	Leistungsbereich <i>Performance range</i>	B2	Gewicht <i>Weight</i>
SX - 30 TST	G52-300-0-00114	3.000 - 30.000 Nm	102,5 mm	8,7 kg

Ratschenkopf <i>Ratchet head</i>	Code Nr. <i>Code no.</i>	SW (mm) <i>A/F (mm)</i>	L1 (mm)	B (mm)	H (mm)	Z (mm)	R (mm)	MT <sub>max</sub> (Nm)	Gewicht <i>Weight</i> (kg)
HSX 30095 F	G51-300-0-00821	95	379,5	77	302,5	57	77,0	30.000	16,6
HSX 30100 F	G51-300-0-01221	100	379,5	77	318,0	57	92,5	30.000	16,8
HSX 30115 F	G51-300-0-00521	115	379,5	77	318,0	57	92,5	30.000	17,2
HSX 30130 F	G51-300-0-00621	130	388,5	77	327,5	57	99,5	30.000	17,8
HSX 30145 F	G51-300-0-00721	145	405,0	77	350,0	57	112,0	30.000	18,4

Ratschenkopf <i>Ratched head</i>	Sechskanteinsatz <i>Hexagon key insert</i>	Code Nr. <i>Code no.</i>	SW (mm) <i>A/F (mm)</i>	Bemerkung <i>Notice</i>
<b>HSX 30115 F</b>	HX 30115 H 115 M	F93-152-9-11502	115	
<b>HSX 30130 F</b>	HX 30130 H 130 M	F93-168-9-13000	130	
<b>HSX 30145 F</b>	HX 30145 H 145 M	F93-188-9-14500	145	

Ratschenkopf <i>Ratchet head</i>	Code Nr. <i>Code no.</i>	SW (mm/") <i>A/F (mm/")</i>	L1 (mm)	B (mm)	H (mm)	Z (mm)	R (mm)	MT <sub>max</sub> (Nm)	Gewicht <i>Weight</i> (kg)
HSX 30095 F	G51-300-0-00822	3 <sup>3</sup> / <sub>4</sub> "	379,5	77	302,5	57	77,0	30.000	16,6
HSX 30100 F	G51-300-0-01224	3 <sup>7</sup> / <sub>8</sub> "	379,5	77	318,0	57	92,5	30.000	16,8
HSX 30115 F	G51-300-0-00124	4 <sup>1</sup> / <sub>2</sub> "	379,5	77	318,0	57	92,5	30.000	17,2
HSX 30130 F	G51-300-0-00222	5"	388,5	77	327,5	57	99,5	30.000	17,8
HSX 30145 F	G51-300-0-00725	5 <sup>5</sup> / <sub>8</sub> "	405,0	77	350,0	57	112,0	30.000	18,4
HSX 30115 W	G51-300-0-00521	max. 115	388,5	77	327,5	57	99,5	30.000	17,5
HSX 30130 W	G51-300-0-00621	max. 130	405,0	77	350,0	57	112,0	30.000	18,3
HSX 30115 W	G51-300-0-00521	max. 4 <sup>1</sup> / <sub>2</sub> "	388,5	77	327,5	57	99,5	30.000	17,5
HSX 30130 W	G51-300-0-00621	max. 5"	405,0	77	350,0	57	112,0	30.000	18,3

<b>Ratschenkopf</b> <i>Ratched head</i>	Sechskanteinsatz <i>Hexagon key insert</i>	Code Nr. <i>Code no.</i>	SW (mm) <i>A/F (mm)</i>	Bemerkung <i>Notice</i>
<b>HSX 30115 W</b>	HXW 30115 H 80 M	F93-147-9-08000	80	
	HXW 30115 H 95 M	F93-147-9-09500	95	
	HXW 30115 H 105 M	F93-147-9-10500	105	
	HXW 30115 H 110 M	F93-147-9-11000	110	
	HXW 30115 H 115 M	F93-147-9-11500	115	
<b>HSX 30130 W</b>	HXW 30130 H 130 M	F93-166-9-13003	130	

## SX - 45

Antriebseinheit <i>Drive unit</i>	Code Nr. <i>Code no.</i>	Leistungsbereich <i>Performance range</i>	B2	Gewicht <i>Weight</i>
SX - 45 TST	G52-450-0-00114	4.500 - 45.000 Nm	111 mm	13,0 kg

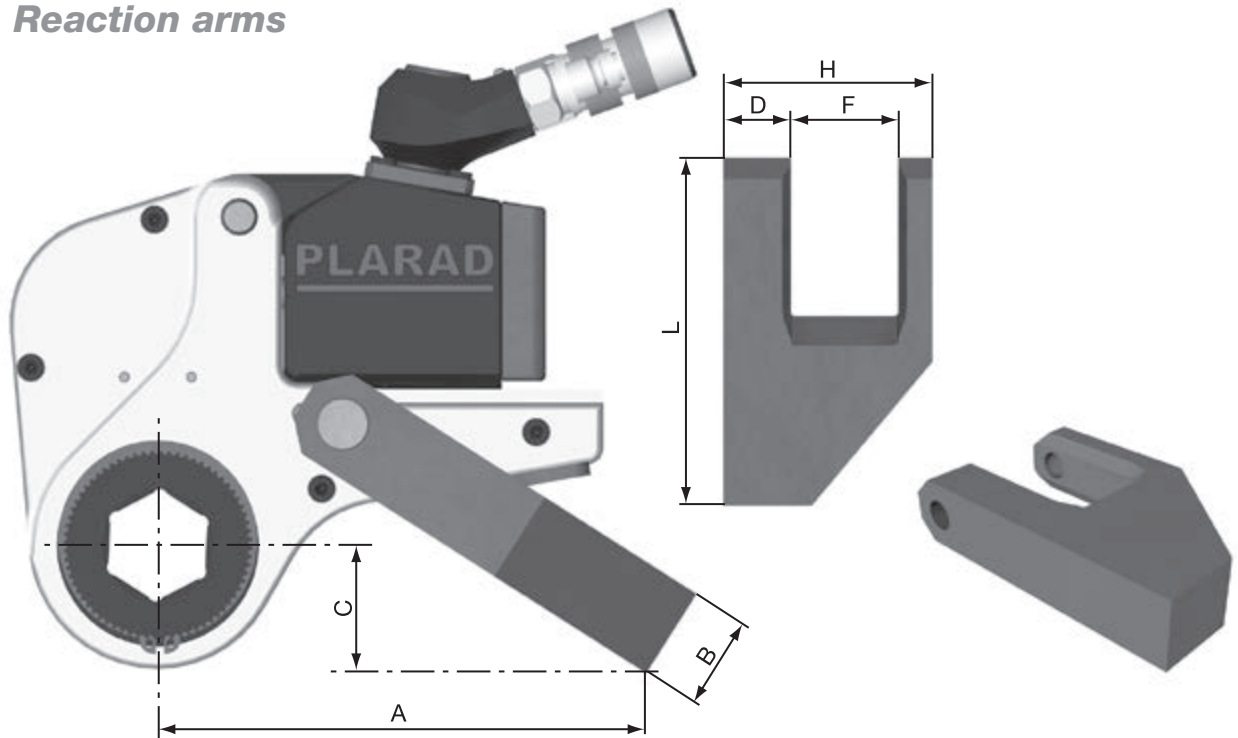
  

Ratschenkopf <i>Ratchet head</i>	Code Nr. <i>Code no.</i>	SW (mm) <i>A/F (mm)</i>	L1	B	H	Z	R	MT <sub>max</sub>	Gewicht <i>Weight</i>
			(mm)	(mm)	(mm)	(mm)	(mm)	(Nm)	(kg)
HSX 45120 F	G51-450-0-00320	120	393,5	86	334,5	47	96,0	45.000	19,9
HSX 45135 F	G51-450-0-00520	135	401,0	86	356,0	47	109,0	45.000	21,1
HSX 45155 F	G51-450-0-00220	155	426,0	86	376,0	47	119,0	45.000	22,0
HSX 45165 F	G51-450-0-00521	165	429,5	86	379,5	47	122,5	45.000	23,0
HSX 45185 F	G51-450-0-00820	185	453,5	86	400,5	47	132,5	45.000	24,2

<b>Ratschenkopf</b> <i>Ratched head</i>	Sechskanteinsatz <i>Hexagon key insert</i>	Code Nr. <i>Code no.</i>	SW (mm) <i>A/F (mm)</i>	Bemerkung <i>notice</i>
<b>HSX 45120 F</b>	HX 45120 H 120 M	F93-160-9-12000	120	
<b>HSX 45135 F</b>	HX 45135 H 135 M	F93-178-9-13500	135	
<b>HSX 45155 F</b>	HX 45155 H 155 M	F93-200-9-15500	155	

Ratschenkopf <i>Ratchet head</i>	Code Nr. <i>Code no.</i>	SW (mm/") <i>A/F (mm/")</i>	L1	B	H	Z	R	MT <sub>max</sub>	Gewicht <i>Weight</i>
			(mm)	(mm)	(mm)	(mm)	(mm)	(Nm)	(kg)
HSX 45120 F	G51-450-0-00320	120	393,5	86	334,5	47	96,0	45.000	19,9
HSX 45135 F	G51-450-0-00520	135	401,0	86	356,0	47	109,0	45.000	21,1
HSX 45155 F	G51-450-0-00220	155	426,0	86	376,0	47	119,0	45.000	22,0
HSX 45165 F	G51-450-0-00521	165	429,5	86	379,5	47	122,5	45.000	23,0
HSX 45185 F	G51-450-0-00820	185	453,5	86	400,5	47	132,5	45.000	24,2
HSX 45120 F	G51-450-0-00325	4 <sup>5/8</sup> "	393,5	86	334,5	47	96,0	45.000	19,9
HSX 45155 F	G51-450-0-00224	5 <sup>3/4</sup> "	426,0	86	376,0	47	119,0	45.000	22,0
HSX 45185 F	G51-450-0-00823	7 <sup>1/4</sup> "	453,5	86	400,5	47	132,5	45.000	24,2
HSX 45145 W	G51-450-0-00130	max. 145	429,5	86	379,5	47	122,5	45.000	23,8
HSX 45145 W	G51-450-0-00130	max. 5 <sup>3/8</sup> "	429,5	86	379,5	47	122,5	45.000	23,8

**Abstützungen**  
*Reaction arms*



Abstützung <i>Reaction arm</i>	Code Nr. <i>Code no.</i>	A	B	C	D	F	H	L	Gewicht <i>Weight</i> (kg)
		(mm)	(mm)	(mm)	(mm)	(mm)	(mm)	(mm)	
HSX 1 .. AR	B51-010-1-00120	134,0	20,0	23,0	20,0	32,5	60,5	115,0	0,45
HSX 2 .. AR	B51-025-1-00800	174,0	30,0	52,0	29,0	40,0	79,0	160,0	0,75
HSX 5 .. AR	B51-050-1-01201	192,0	35,0	36,0	29,5	50,0	97,5	162,0	1,40
HSX 12 .. AR	B51-120-1-00100	334,0	49,5	83,0	31,5	54,1	108,0	300,0	3,20
HSX 20 .. AR	B51-200-1-00100	282,0	55,0	50,0	60,0	65,7	145,5	230,0	4,10
HSX 30 .. AR	B51-300-1-00100	335,0	65,0	47,0	70,0	77,5	172,5	282,5	5,60
HSX 45 .. AR	B51-450-1-00100	372,0	85,0	72,6	80,0	86,5	211,5	335,0	11,50

**In-Out-Nüsse**  
*In-out sockets*



In-Out-Nüsse sind in allen Abmaßen und Schlüsselweiten erhältlich.  
*In-out sockets are available in all sizes and dimensions.*



... a successful  
connection!

**Maschinenfabrik Wagner GmbH & Co. KG**  
Birrenbachshöhe · 53804 Much · Germany

**Tel. national:** (02245) 62-0  
**Fax national:** (02245) 62-66  
**Phone international:** +49 (0)2245 62-10  
**Fax international:** +49 (0)2245 62-22

[info@plarad.com](mailto:info@plarad.com) · [www.plarad.com](http://www.plarad.com)

Nachdruck und Kopie, auch auszugsweise, nur mit vorheriger schriftlicher Genehmigung. Änderungen vorbehalten. Für Druck- und Informationsfehler übernehmen wir keine Verantwortung. / Reproduction and copying of this volume, in whole or in part, is permissible only with express written permission. Subject to amendment. We take no responsibility for printing errors or inaccurate information.  
Stand/Version: 06/2014 · EK 10387 - 099 DE/EN