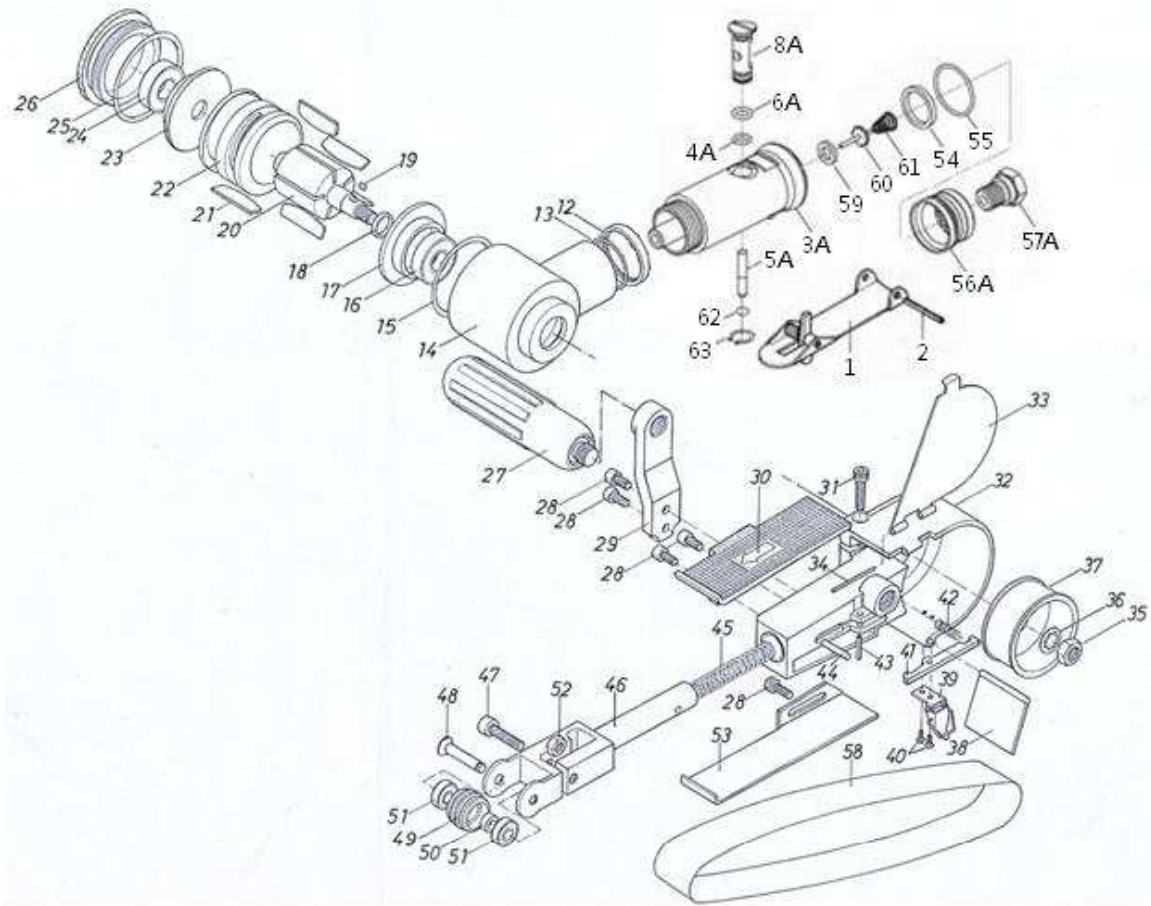


30mm Belt Sander



No.	Part No.	Description	Q'ty	No.	Part No.	Description	Q'ty
1	730001	Throttle Lever	1	35	730035	Lock Nut	1
2	730002	Lever Pin	1	36	730036	Washer	1
3A	730003A	Motor Housing	1	37	730037	Drive Pulley	1
4A	730004A	O-Ring	1	38	730038	Dust Cover	1
5A	730005A	Valve Stem	1	39	730039	Cover Latch	1
6A	730006A	O-Ring	1	40	730040	Cap Screw	2
8A	730008A	Air Controller	1	41	730041	Stopper	1
12	730012	Lock Nut	1	42	730042	Stopper Spring	1
13	730013	O-Ring	1	43	730043	Roll Pin	1
14	730014	Housing	1	44	730044	Stopper Pin	1
15	730015	O-Ring	1	45	730045	Tension Spring	1
16	730016	Ball Bearing	1	46	730046	Tension Arm	1
17	730017	Front End Plate	1	47	730047	Counter Sink	1
18	730018	Spacer	1	48	730048	Idle Shaft	1
19	730019	Key	1	49	730049	Idle Pulley	1
20	730020	Rotor	1	50	730050	Collar	1
21	730021	Rotor Blade	1	51	730051	Ball Bearing	2
22	730022	Cylinder	1	52	730052	Lock Nut	1
23	730023	Rear End Plate	1	53	730053	Shoe	1
24	730024	Ball Bearing	1	54	730054	Silencer	1
25	730025	O-Ring	1	55	730055	O-Ring	1
26	730026	Motor Nut	1	56A	730056A	Air Deflector	1
27	730027	Handle	1	57A	730057A	Air Inlet	1
28	730028	Cap Screw	5	58	730058	Grinding	1
29	730029	Handle Bracket	1	59	730059	Seal	1
30	730030	Finger Plate	1	60	730060	Valve Stem	1
31	730031	Adjust Screw	1	61	730061	Spring	1
32	730032	Guard Body	1	62	730062	O-Ring	1
33	730033	Guard	1	63	730063	Snap Ring	1
34	730034	Roll Pin	1				